

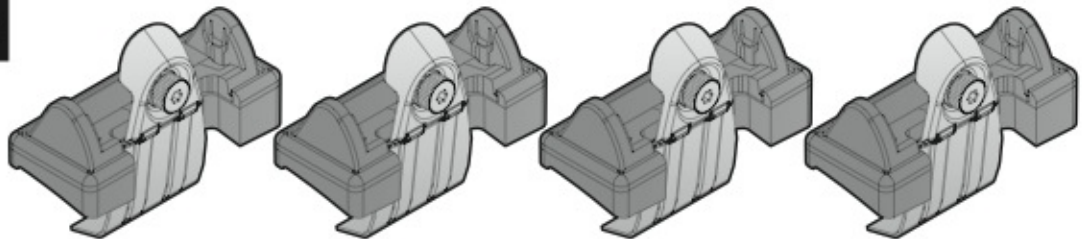
**AUDI A3**  
SPORTBACK  
(no profilo)

5



9/04→10/12

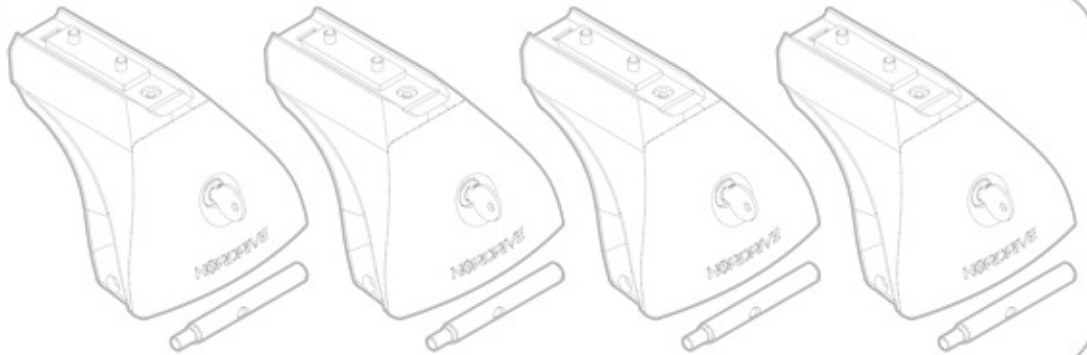
Art.  
**N21039**



**C**

+

Art. **N20001**



**B**

+

Art. **N15021**

**L**



**A**

ACCIAIO  
Steel

=



Art. **N15026**

**L**



**A**

ALLUMINIO  
Aluminium

=



Art. **N15076**

**L**

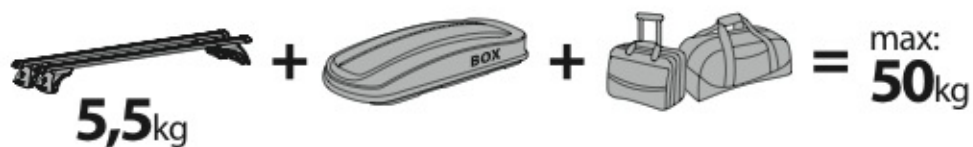


**A**

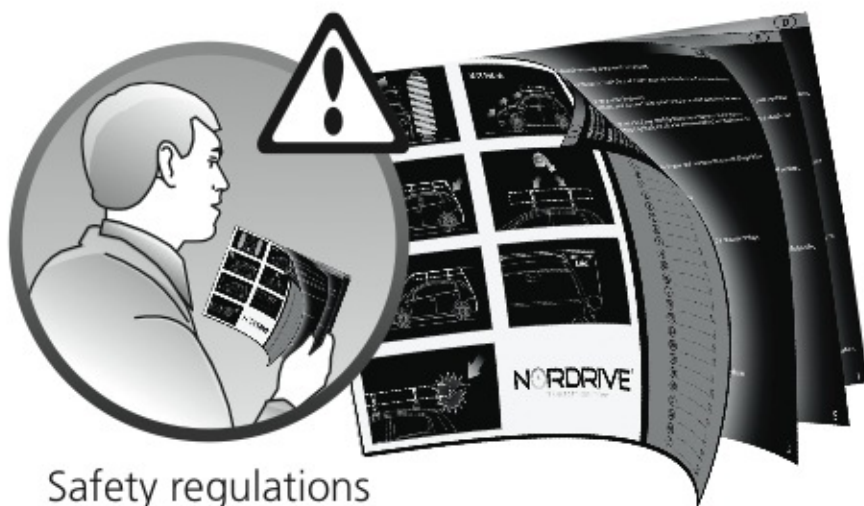
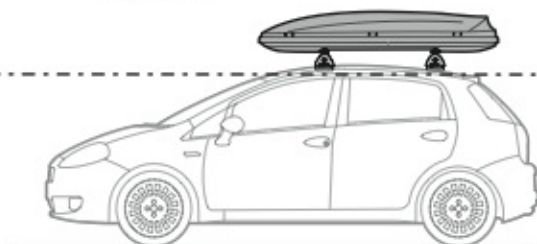
ALLUMINIO  
Aluminium

=

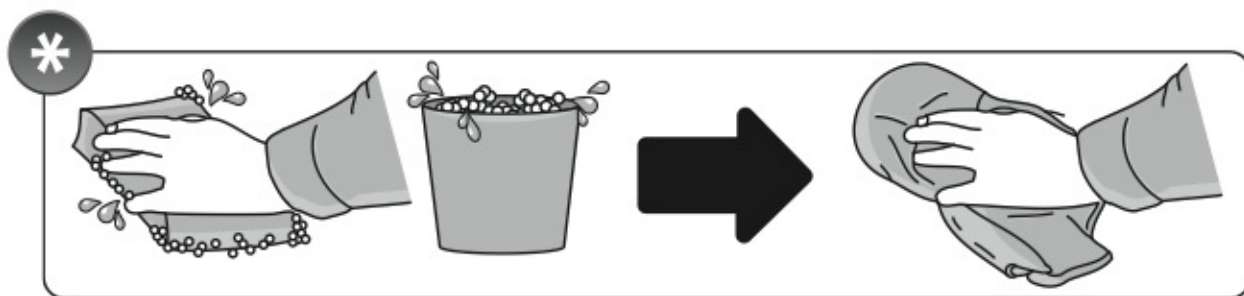
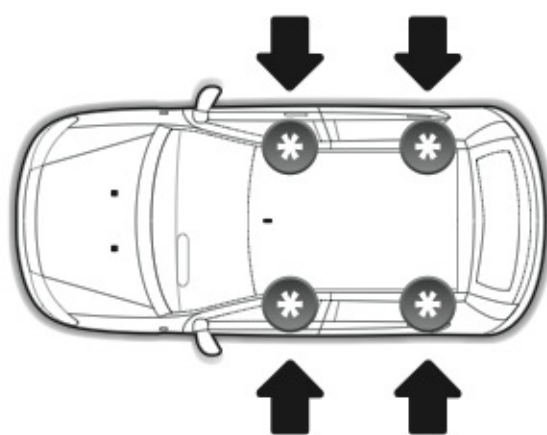




max: ???kg



Safety regulations





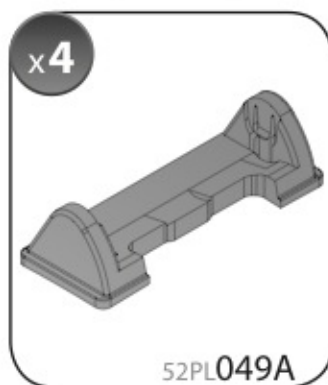
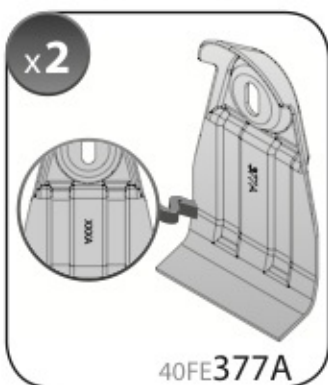
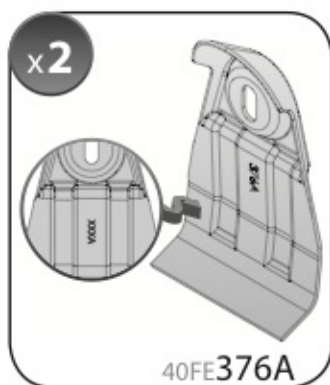
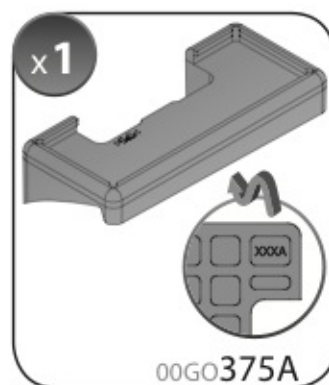
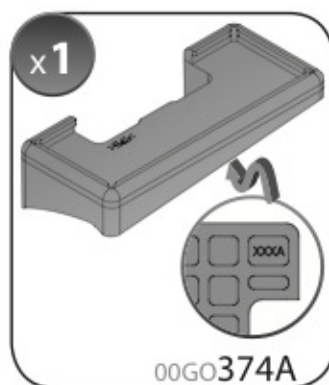
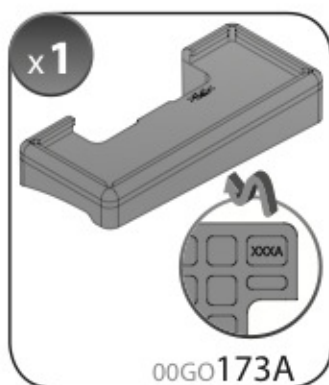
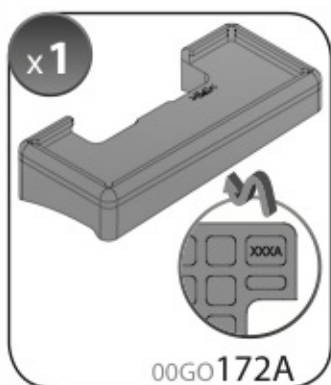
**AUDI A3**  
**SPORTBACK**  
(no profilo)

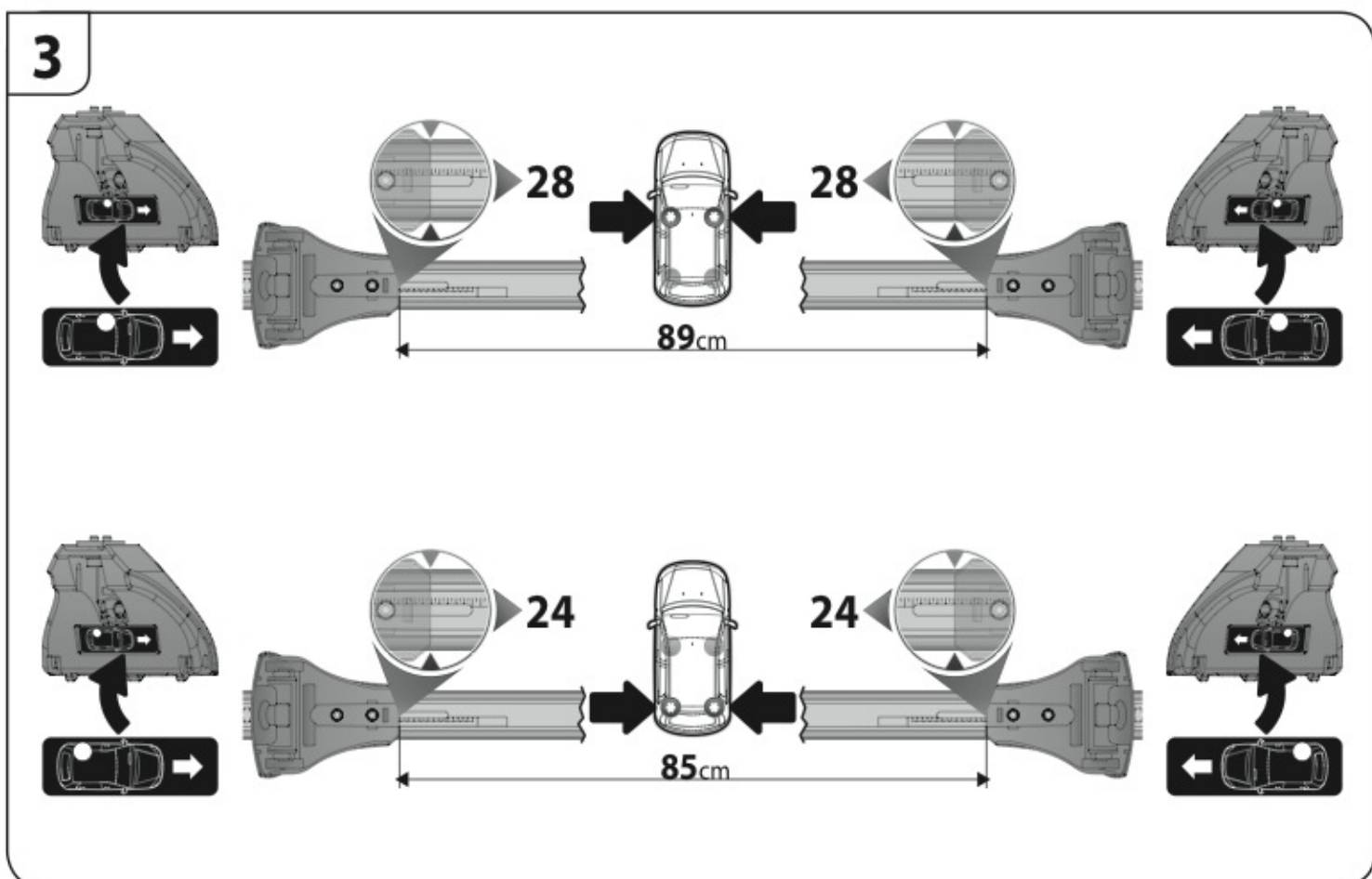
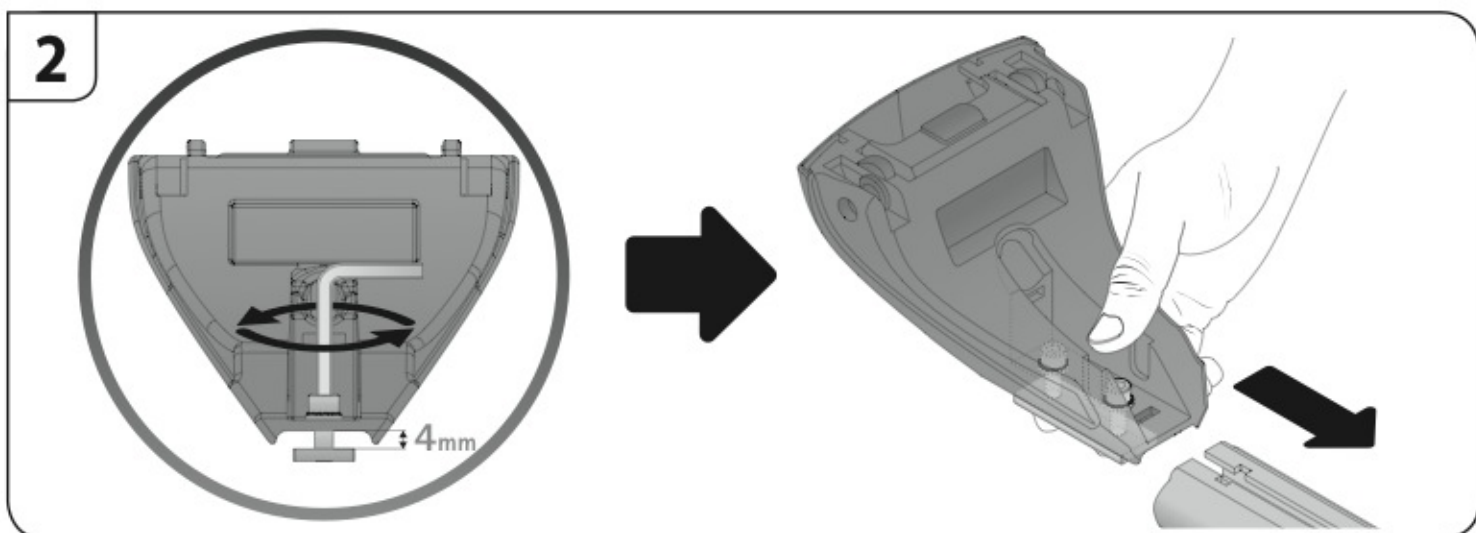
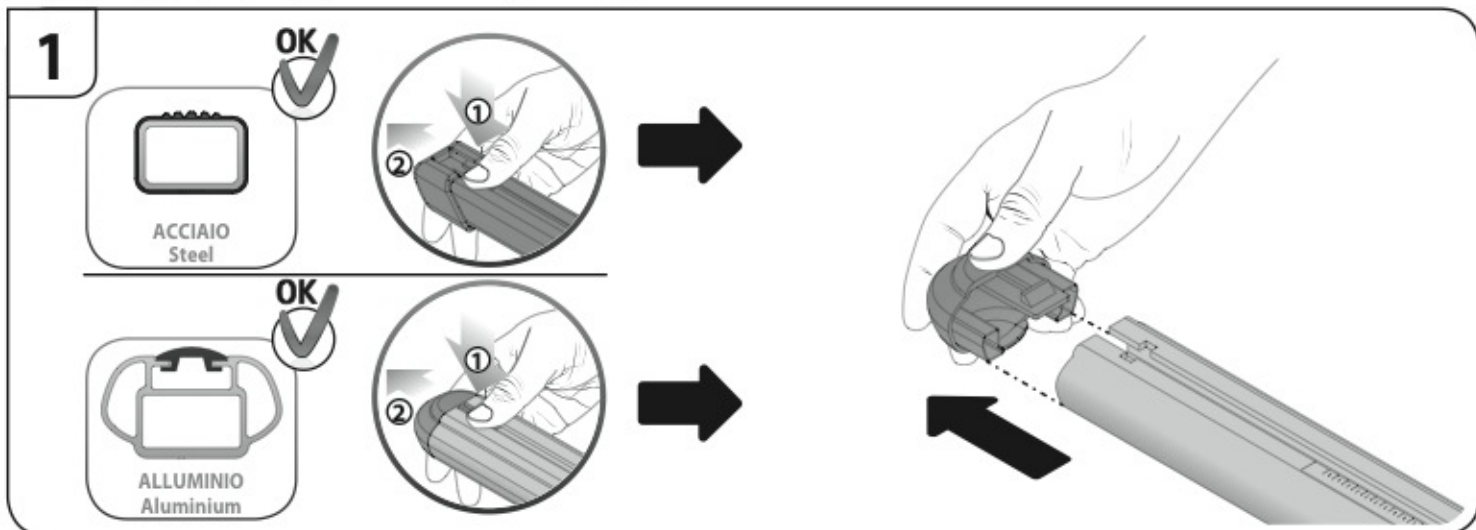
5



9/04→10/12

Art. **N21039**

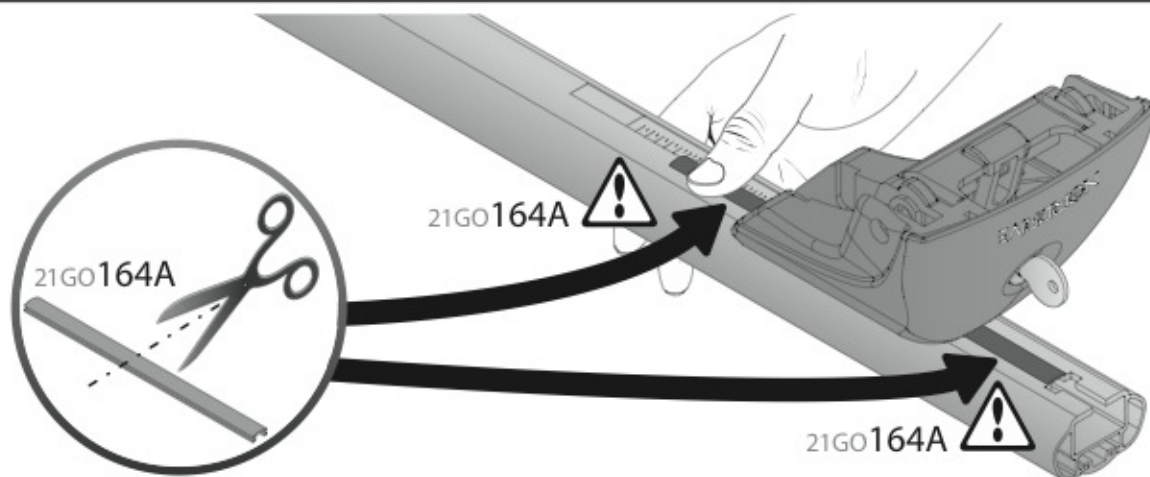




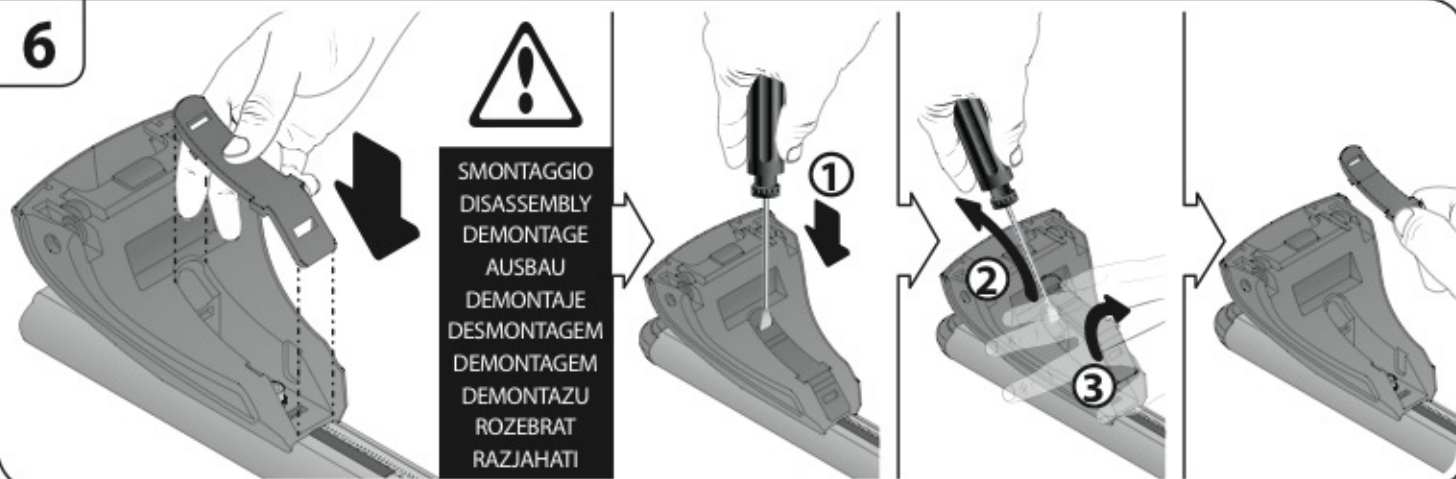
4



5

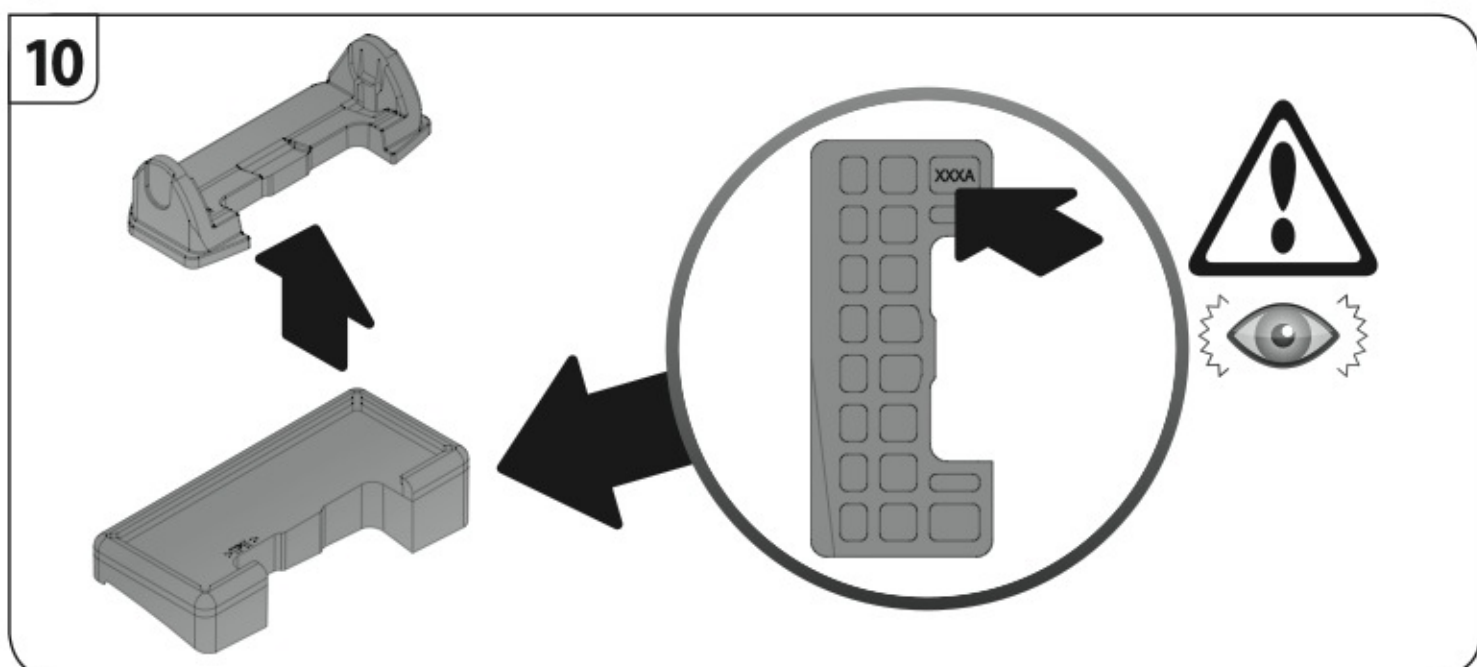
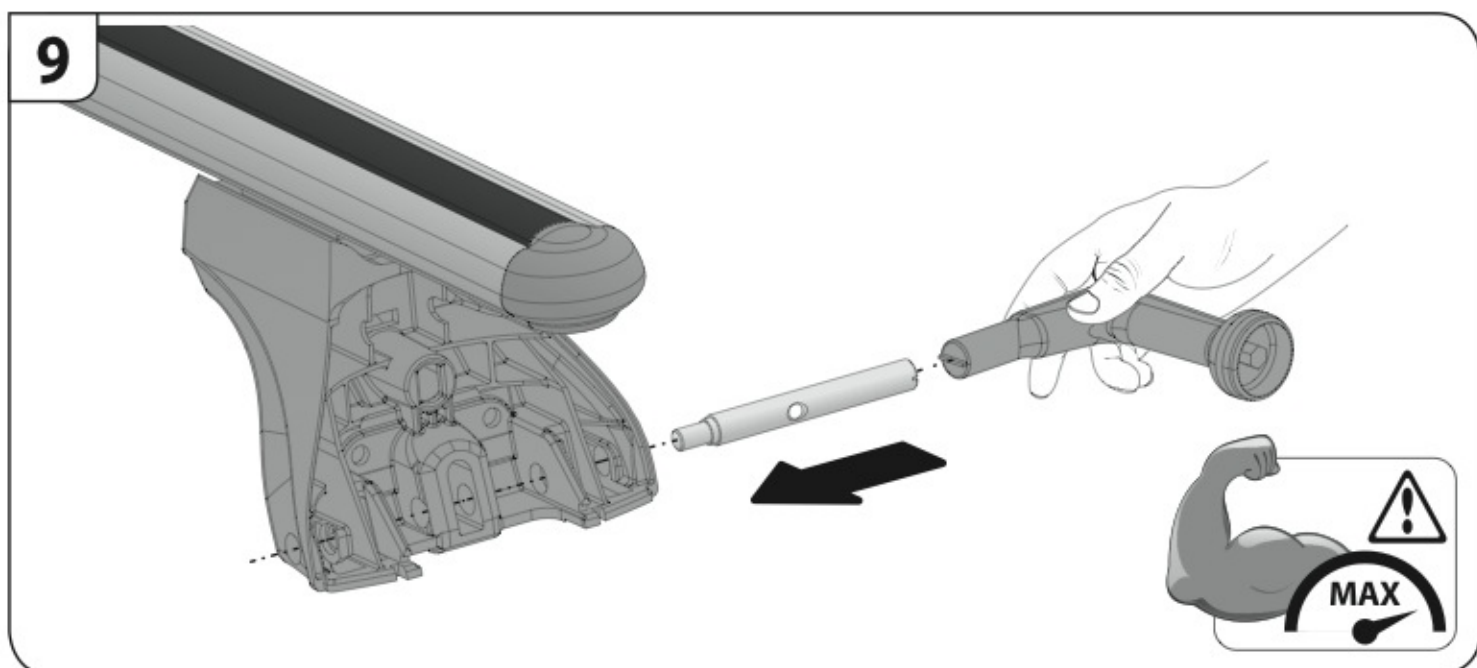
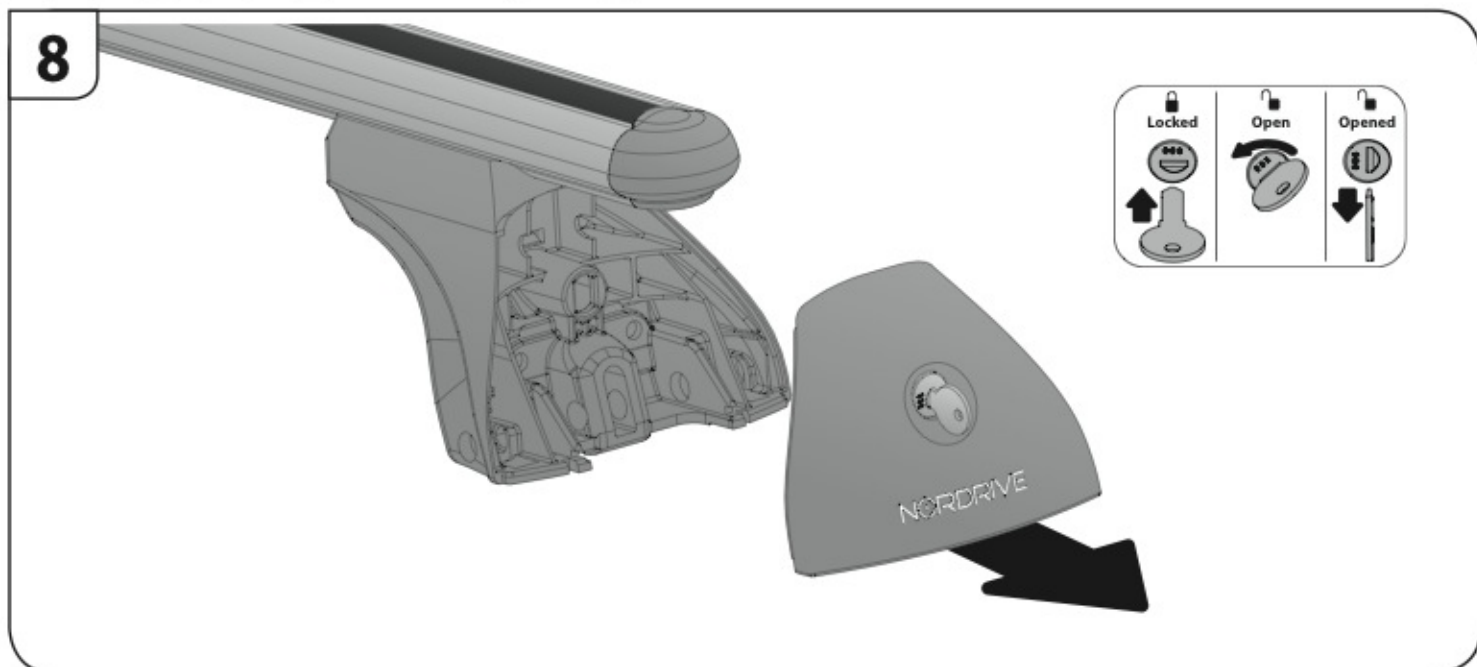


6

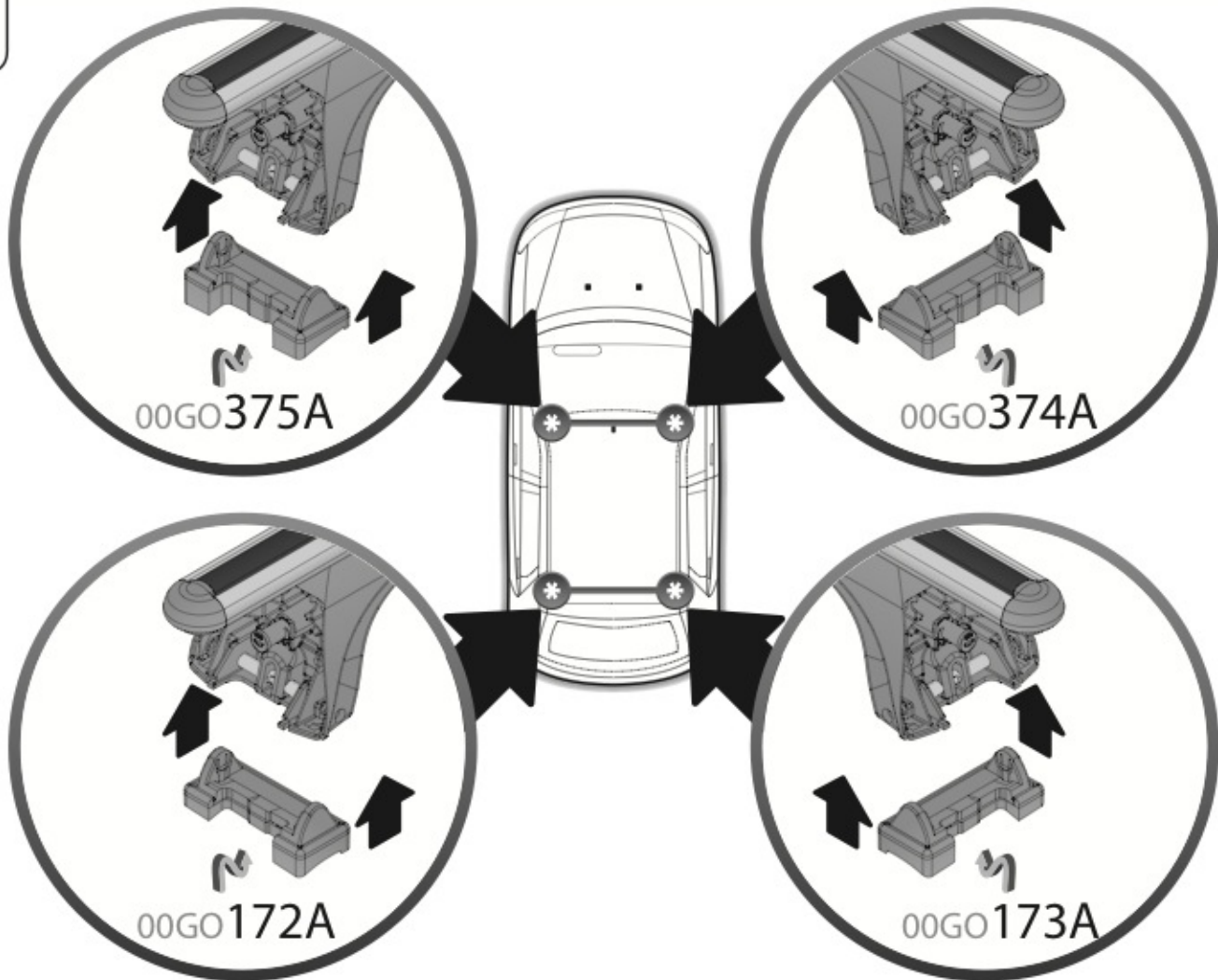


7

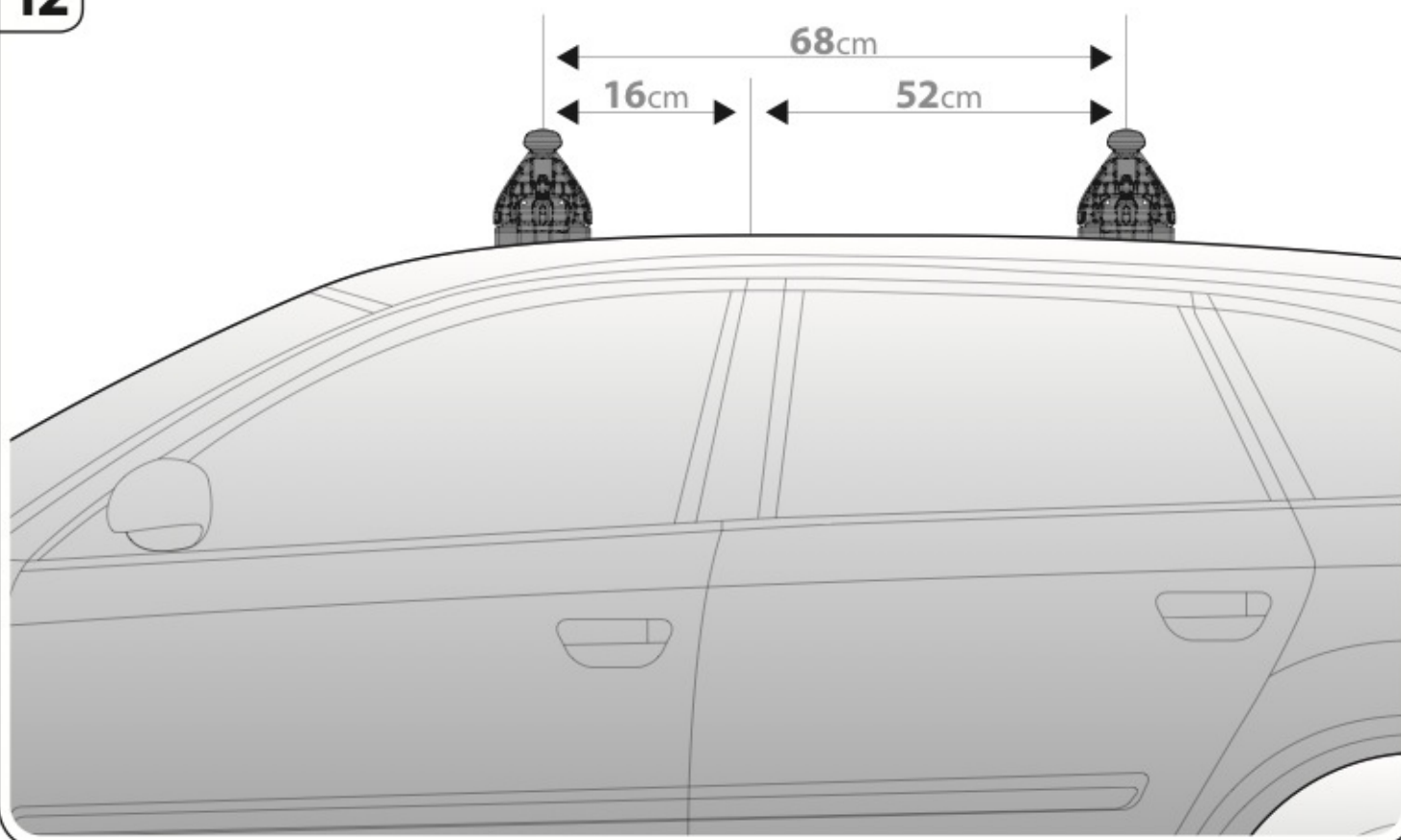




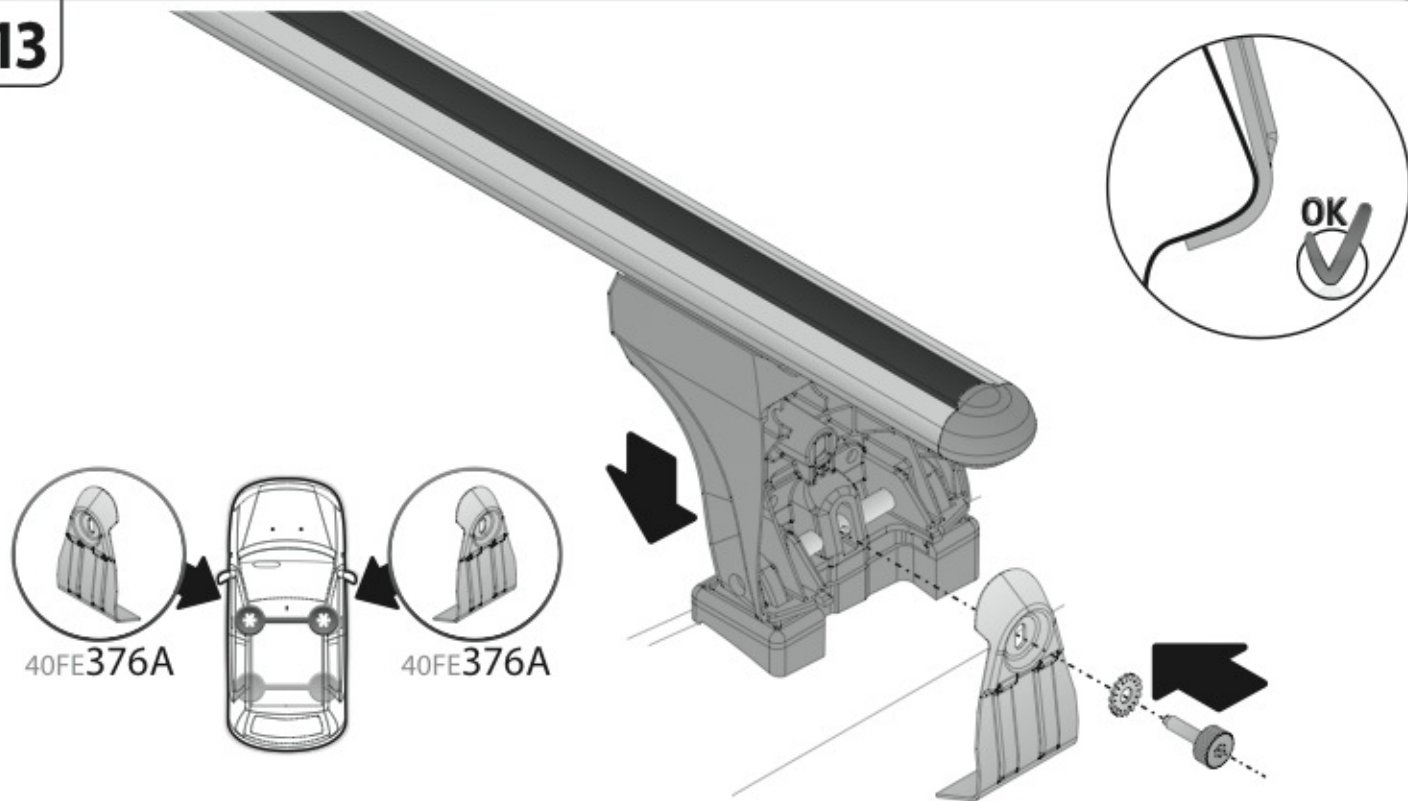
11



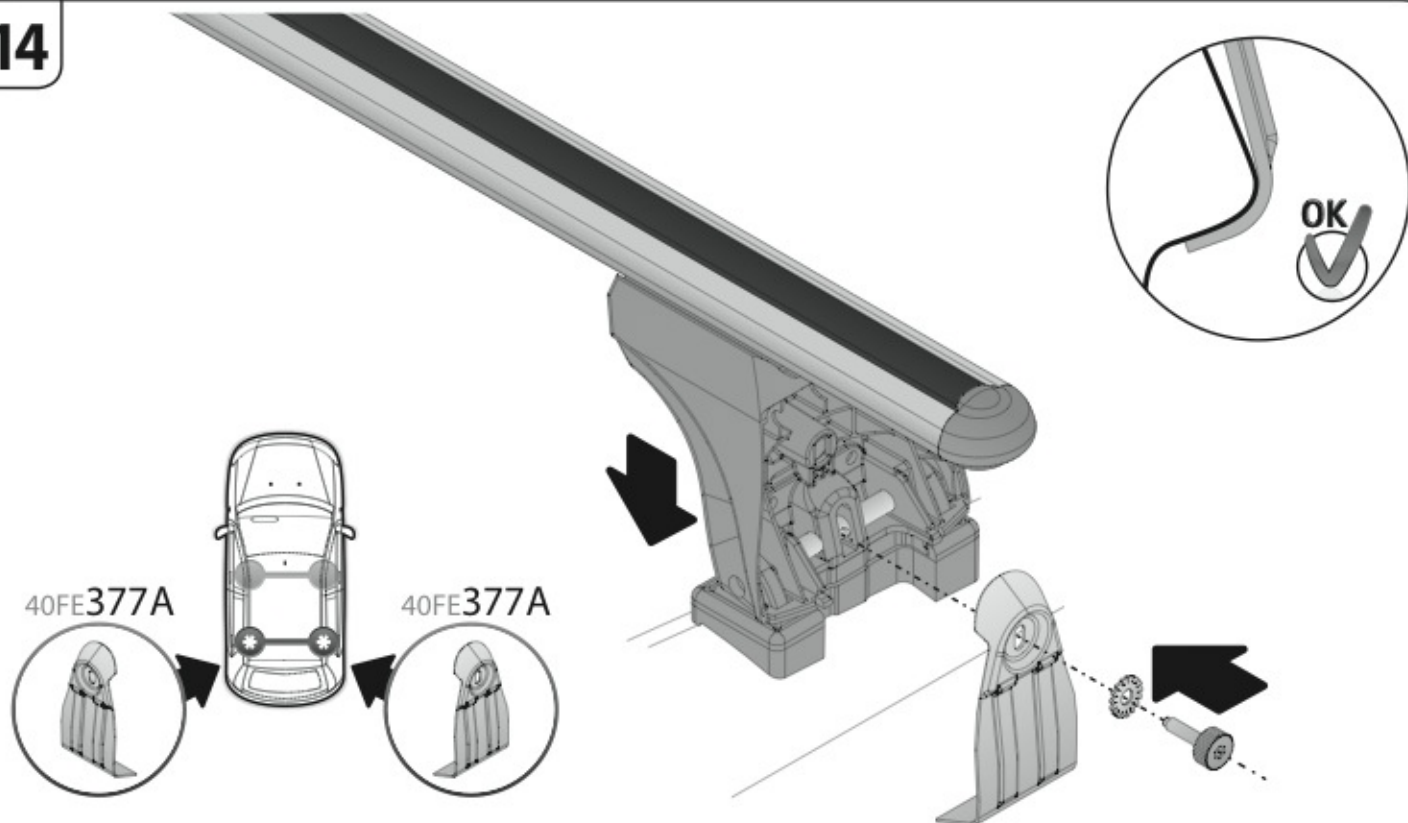
12



**13**

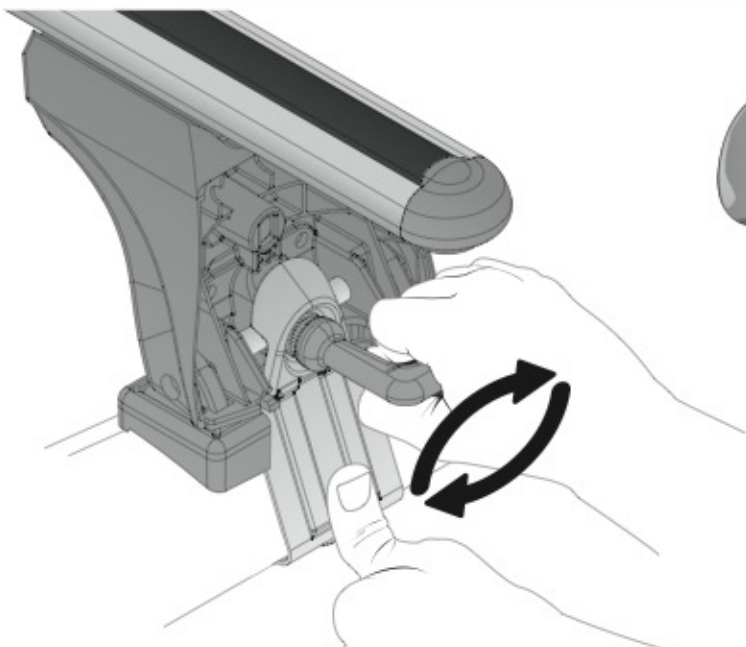
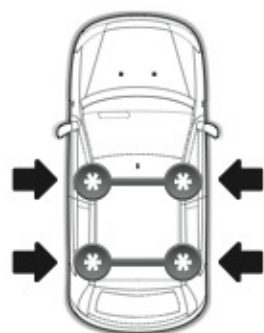


**14**

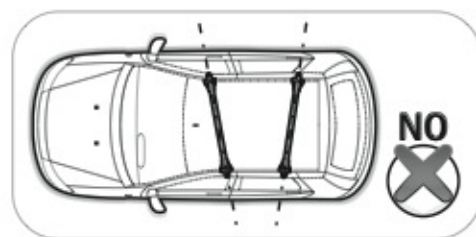
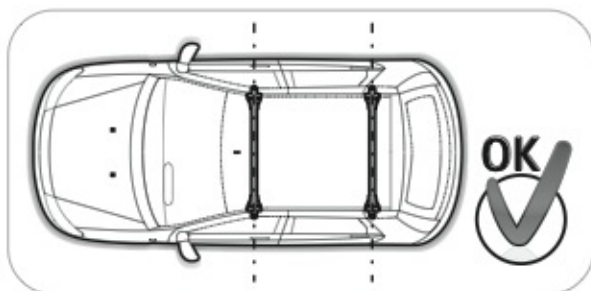
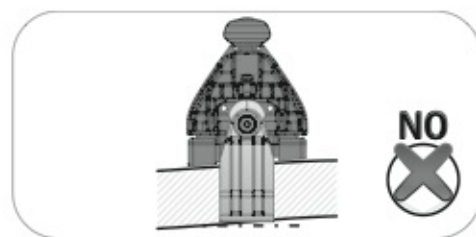
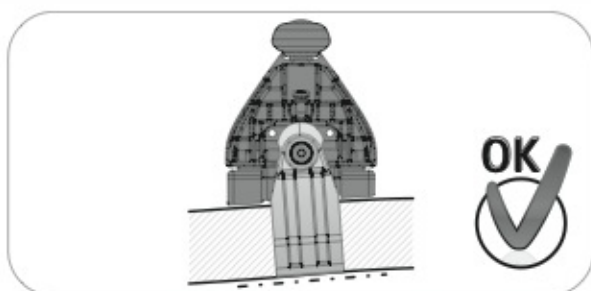




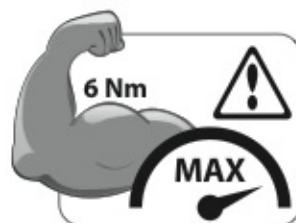
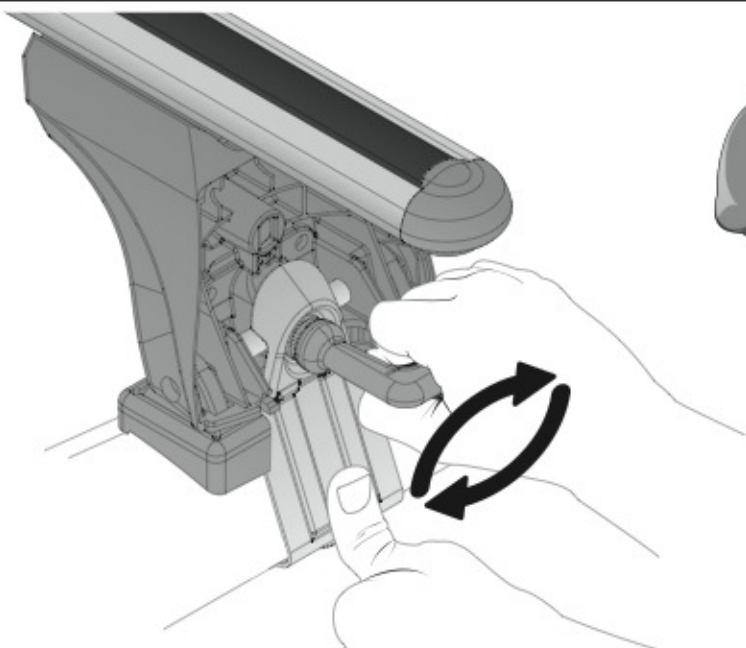
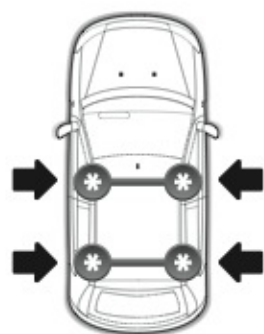
15



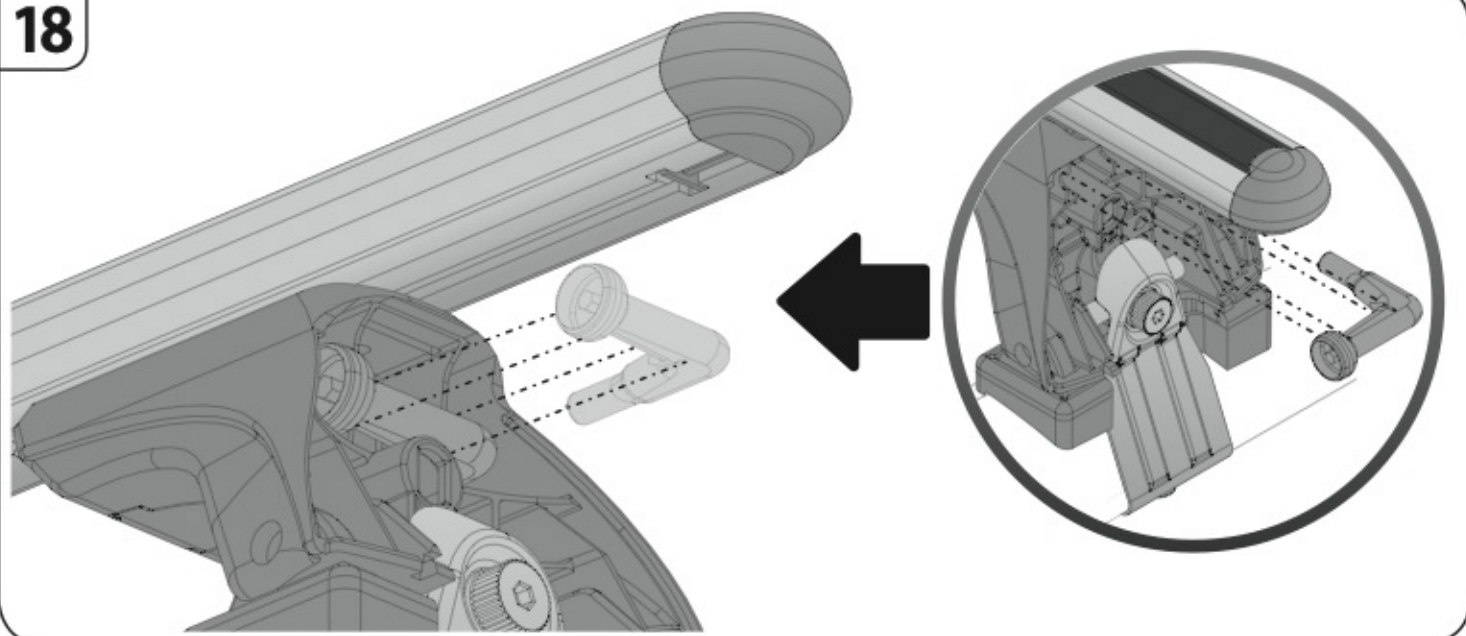
16



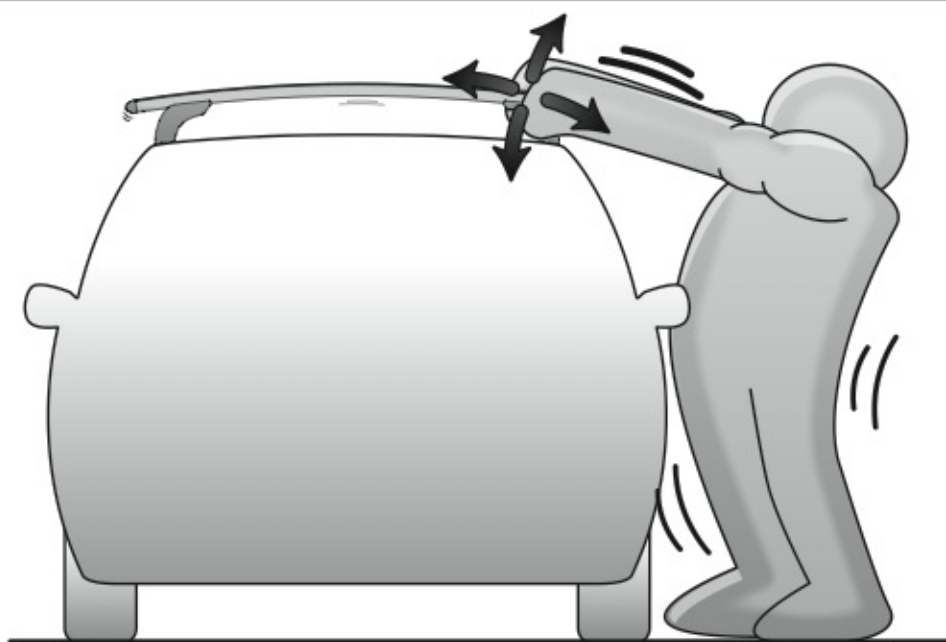
17



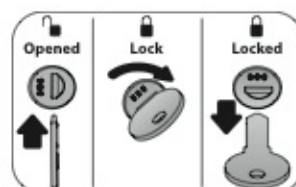
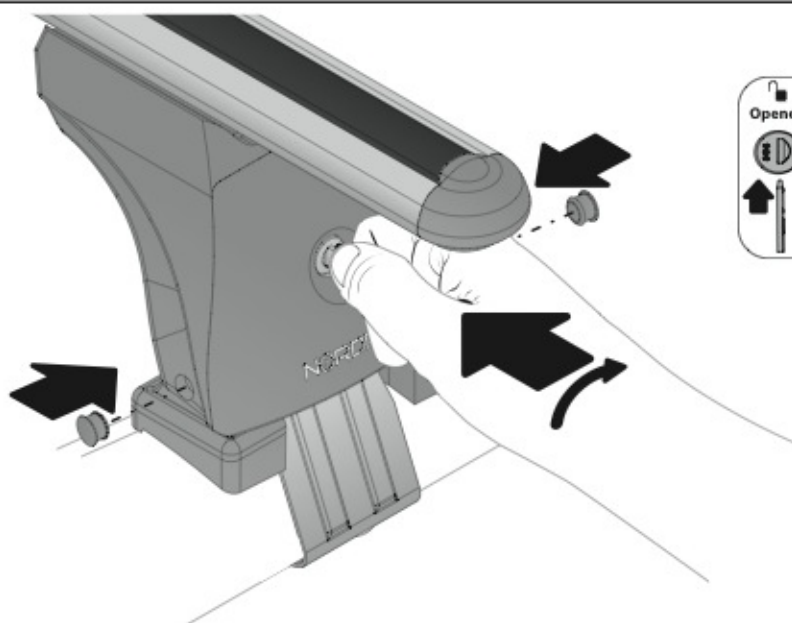
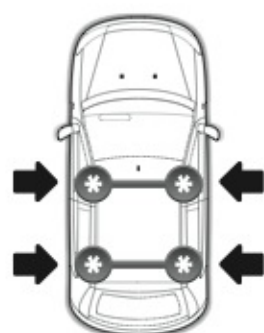
18



19



20





# EVOS

**NORDRIVE**<sup>®</sup>  
TRANSPORT SOLUTIONS

is a registered trade mark of

**LAMPA S.p.A.**

Via G. Rossa 53/55, 46019 Viadana (MN) ITALY

Tel. +39 0375 820700

UNI EN ISO 9001:2008 Certified Company

**[www.nordrive.it](http://www.nordrive.it)**

**[www.lampa.it](http://www.lampa.it)**