

EVOS

NORDRIVE[®]

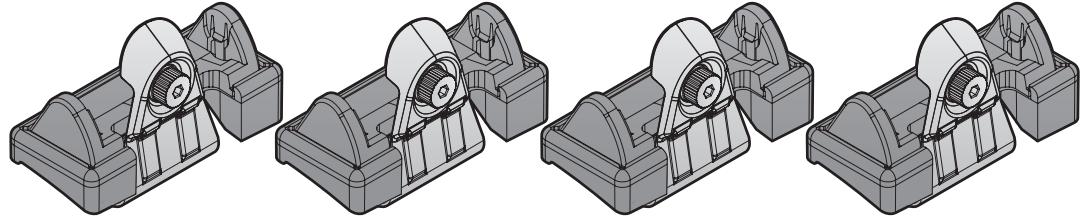
TRANSPORT SOLUTIONS

VOLKSWAGEN PASSAT



3/05 → 12/10

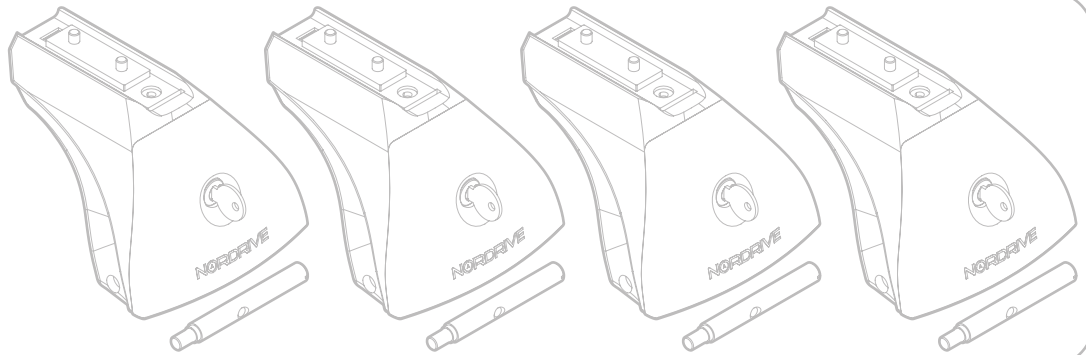
Art.
N21050



C

+

Art. **N20001**



B

+

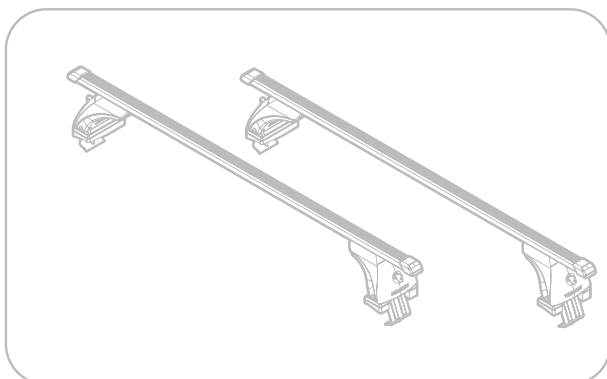
Art. **N15021**



A

ACCIAIO
Steel

=



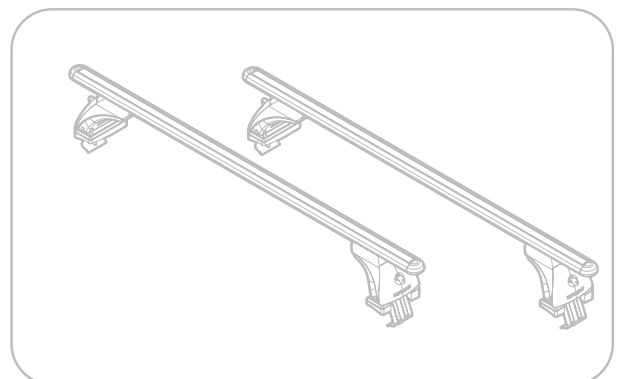
Art. **N15026**


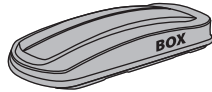
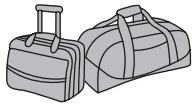


A

ALLUMINIO
Aluminium

=

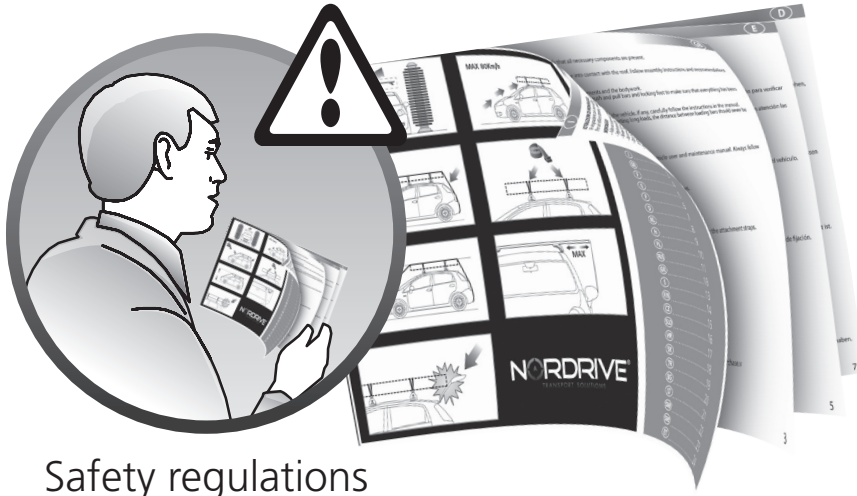
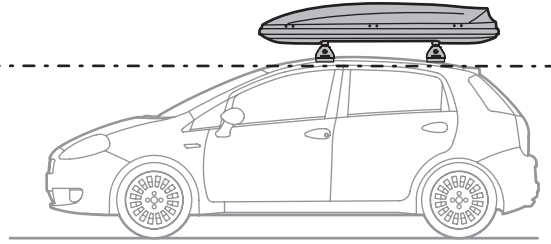


 +
  +
  = max: **75kg**

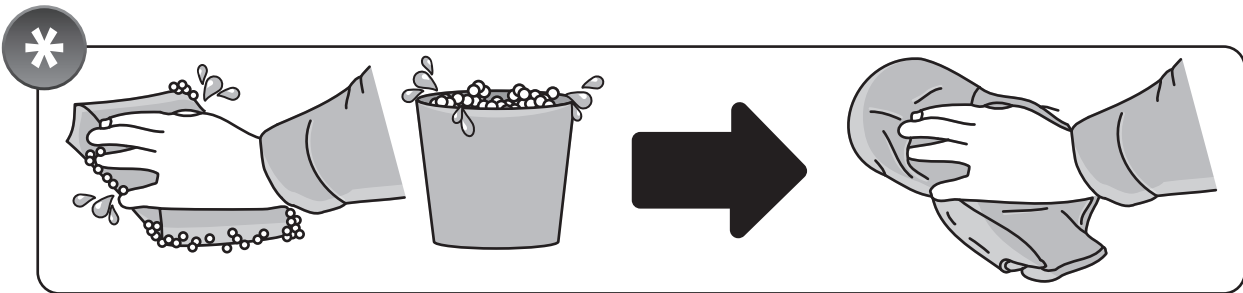
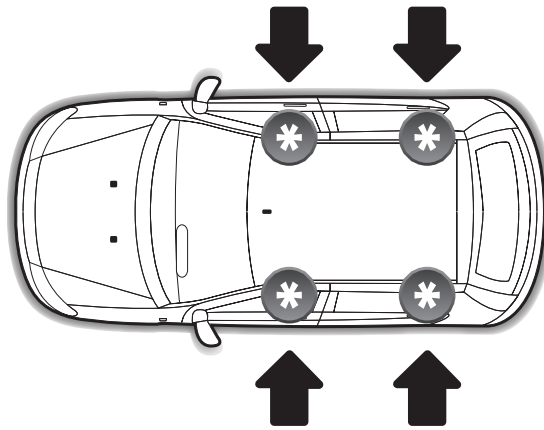
5,5kg



max: **???**kg



Safety regulations

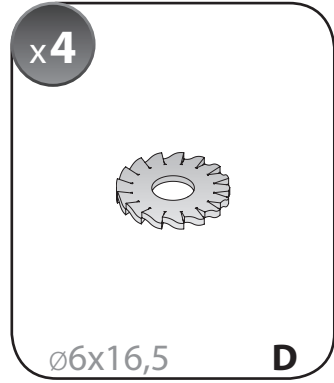
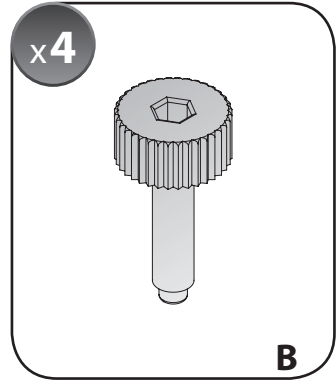
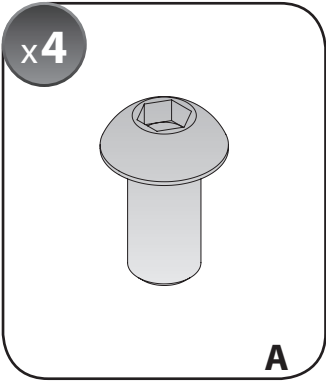
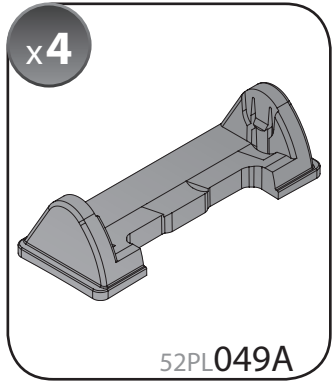
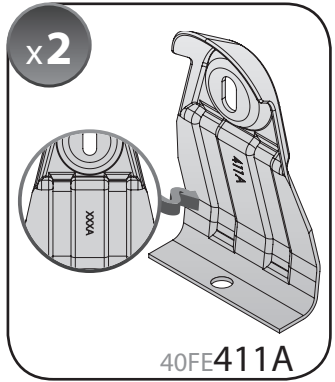
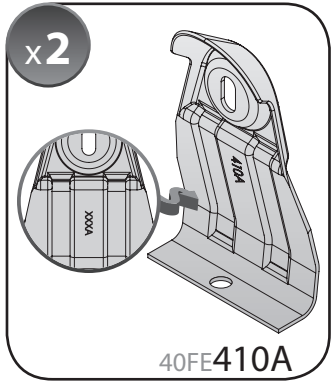
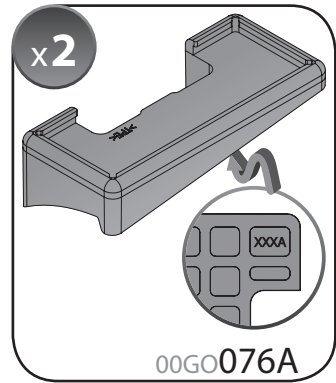
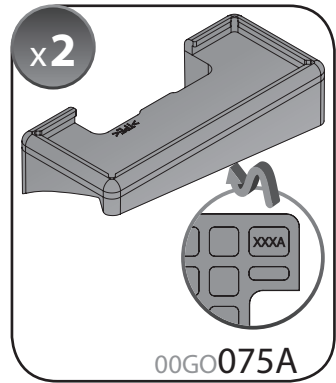
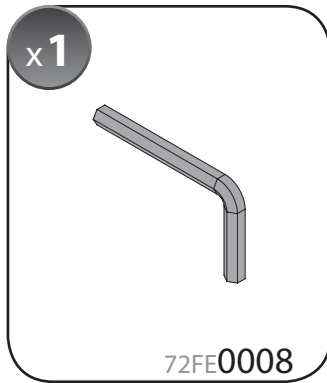


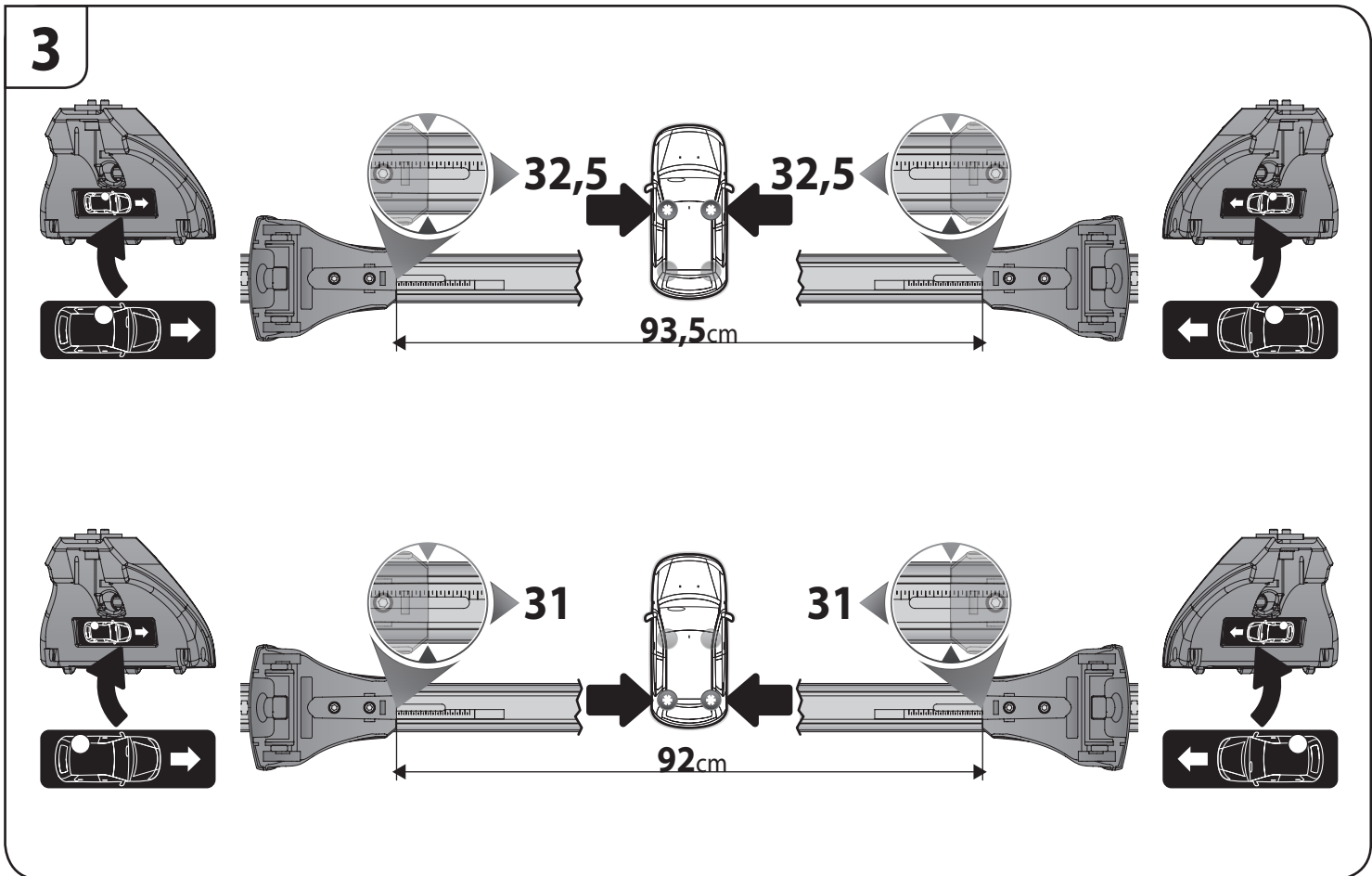
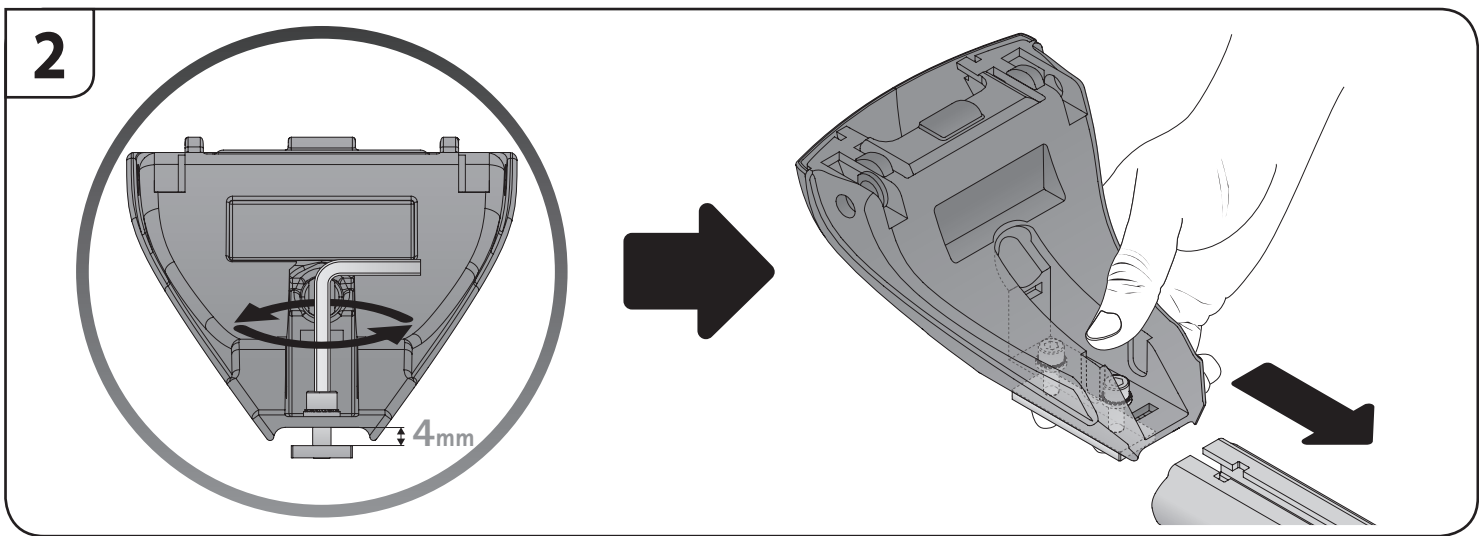
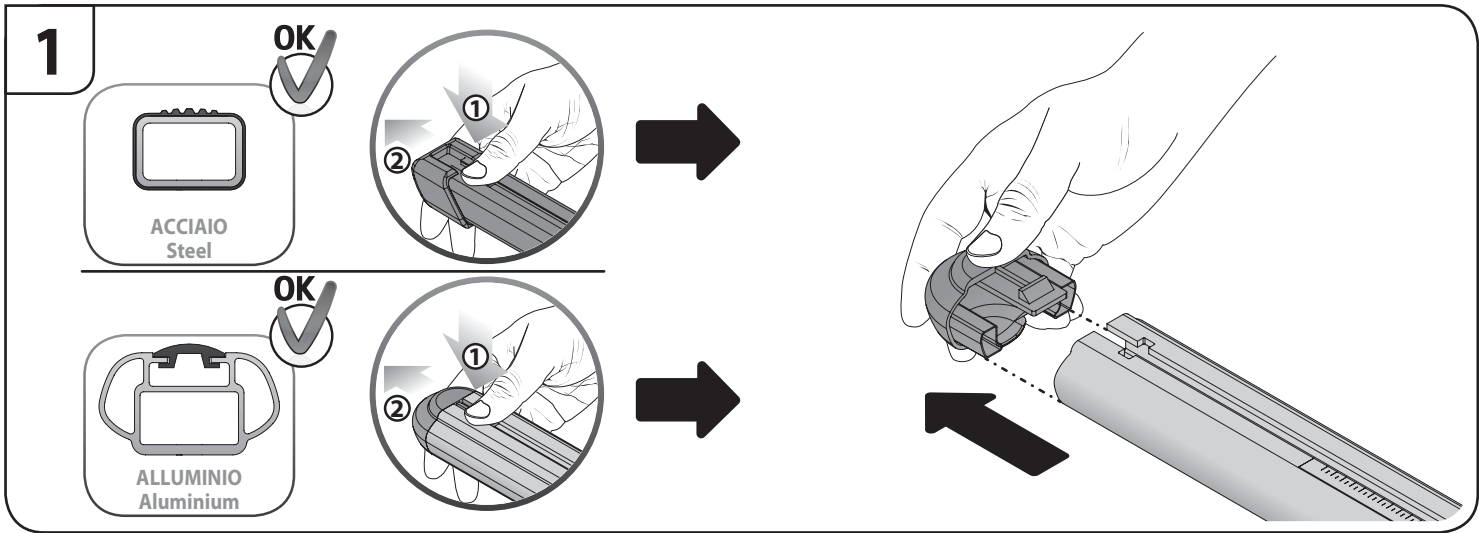


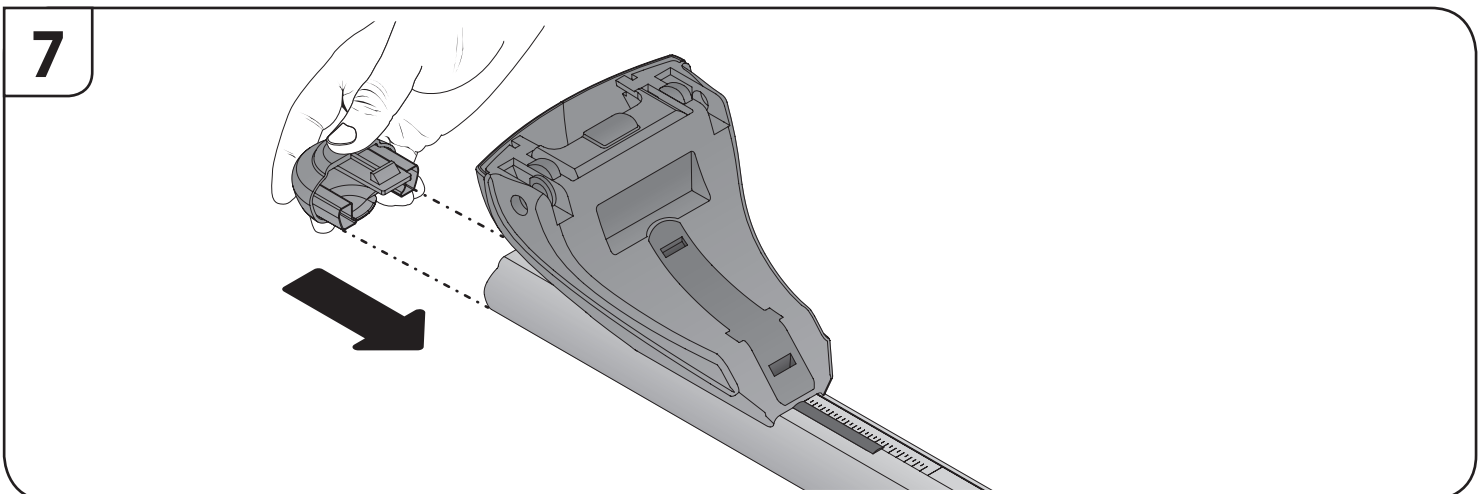
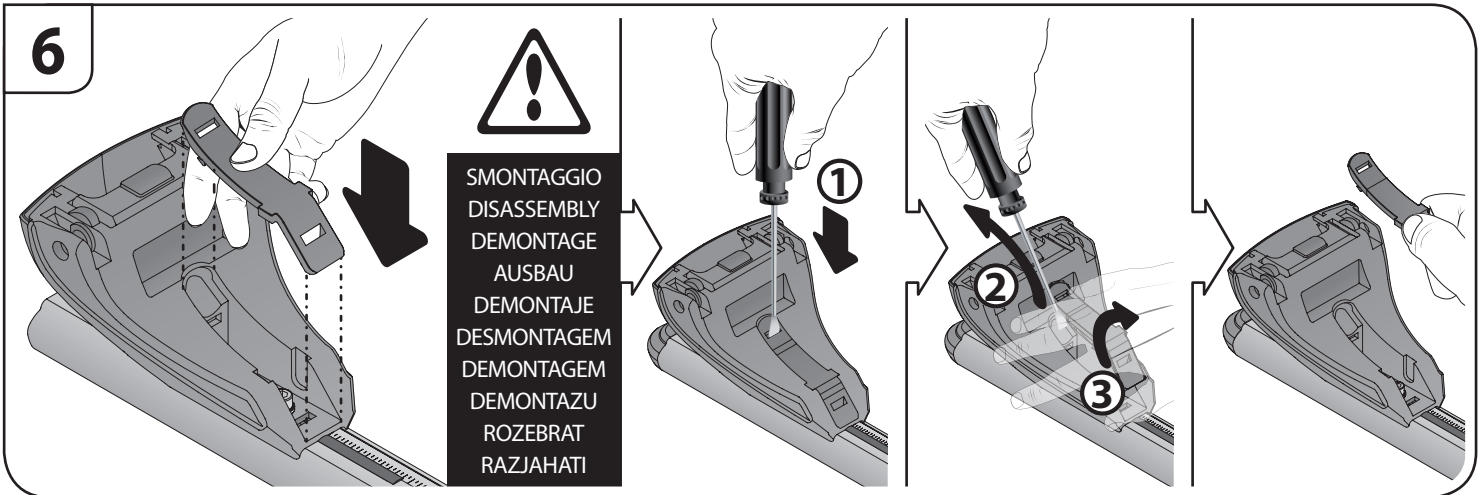
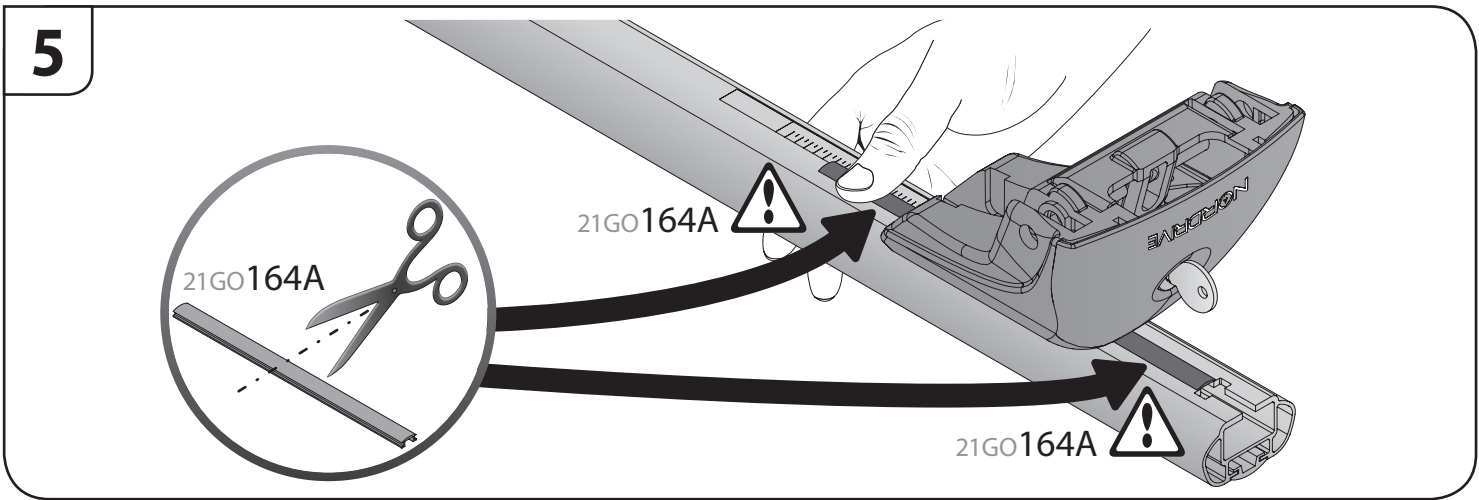
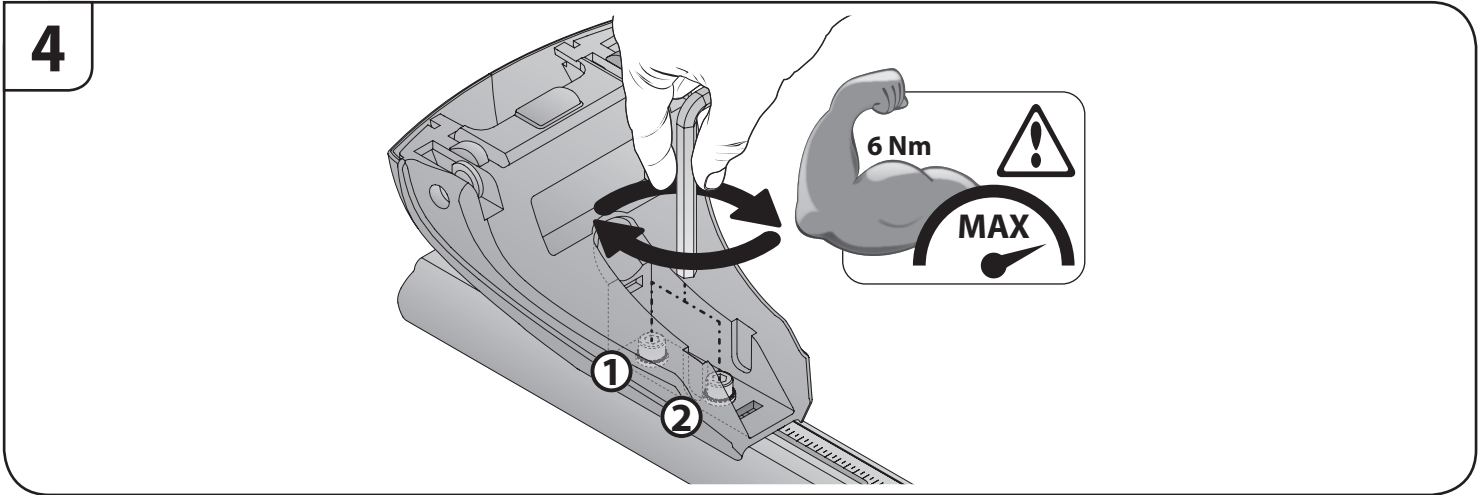
VOLKSWAGEN PASSAT

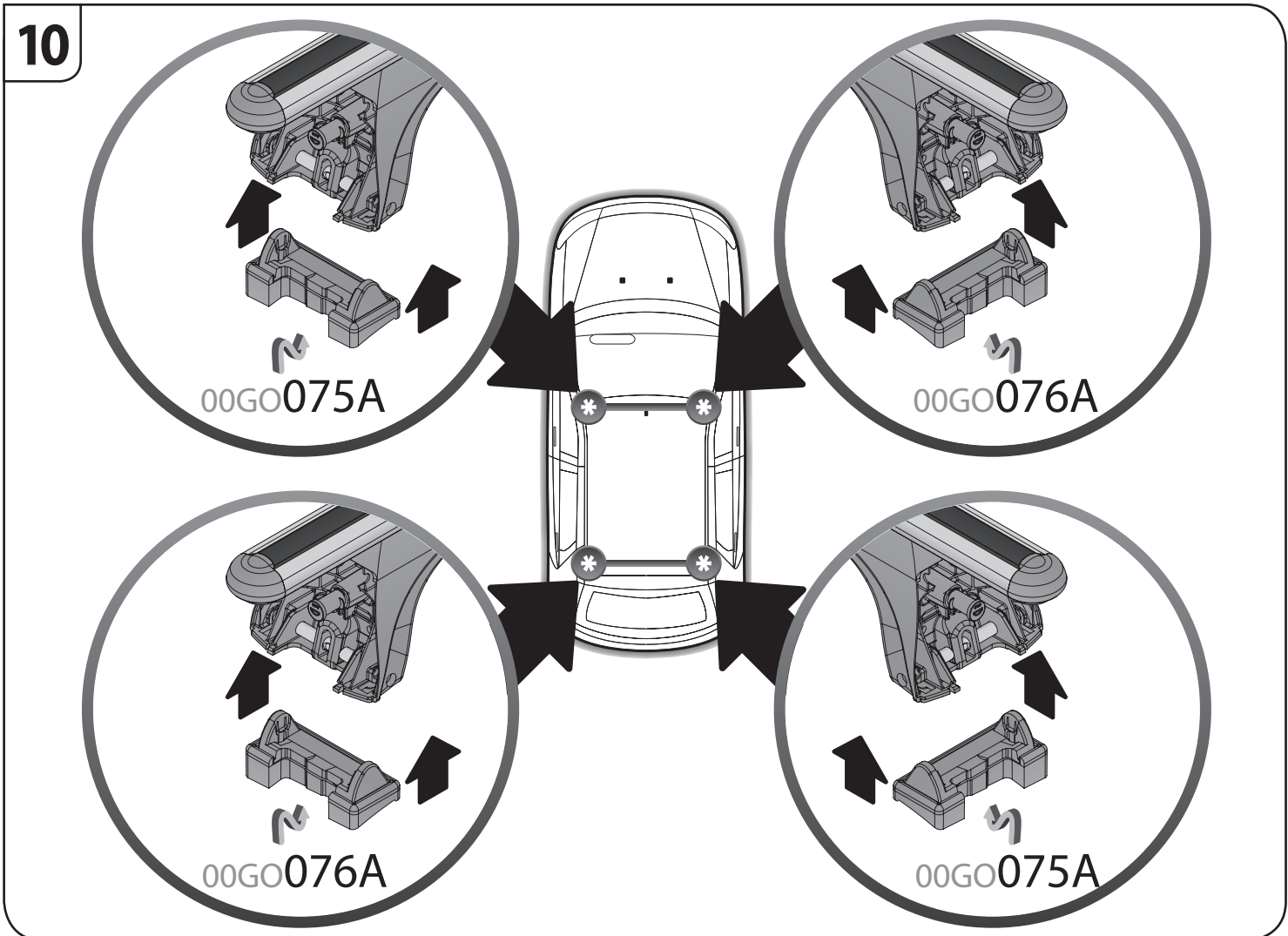
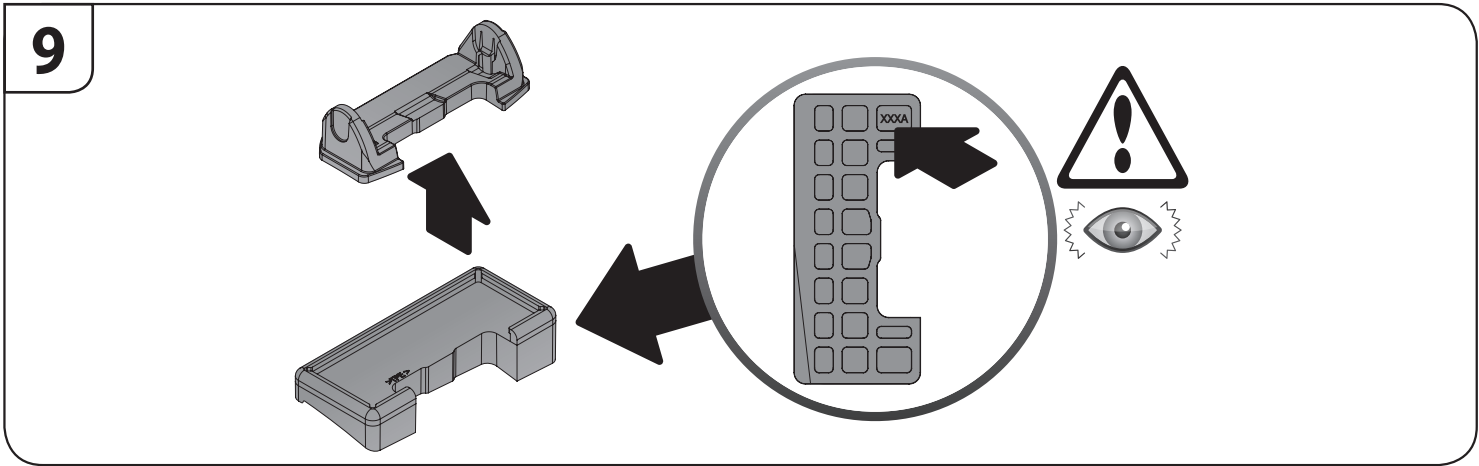
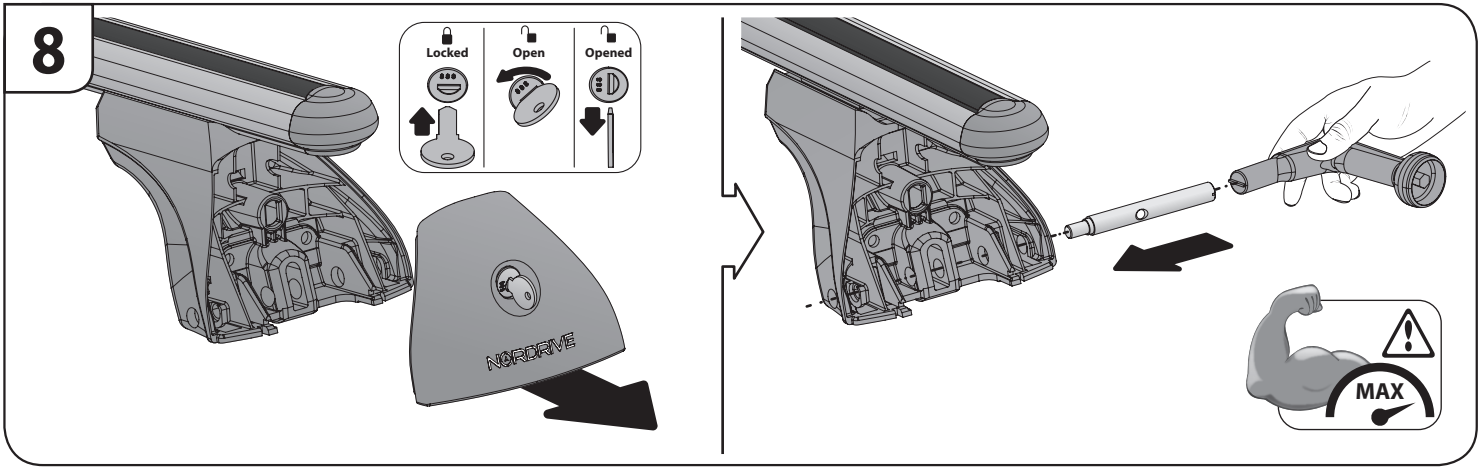
2000
3/05 → 12/10

Art. **N21050**

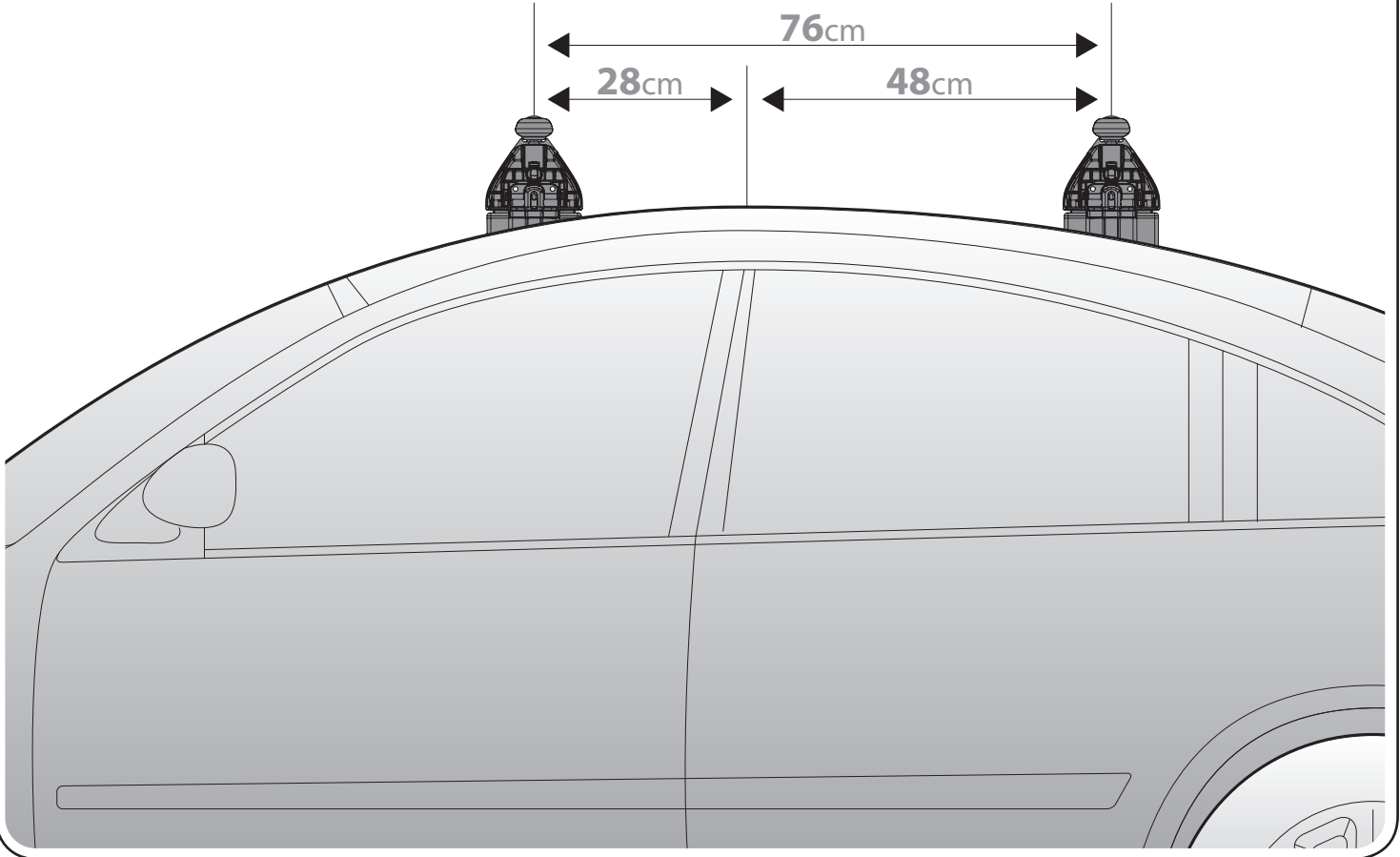




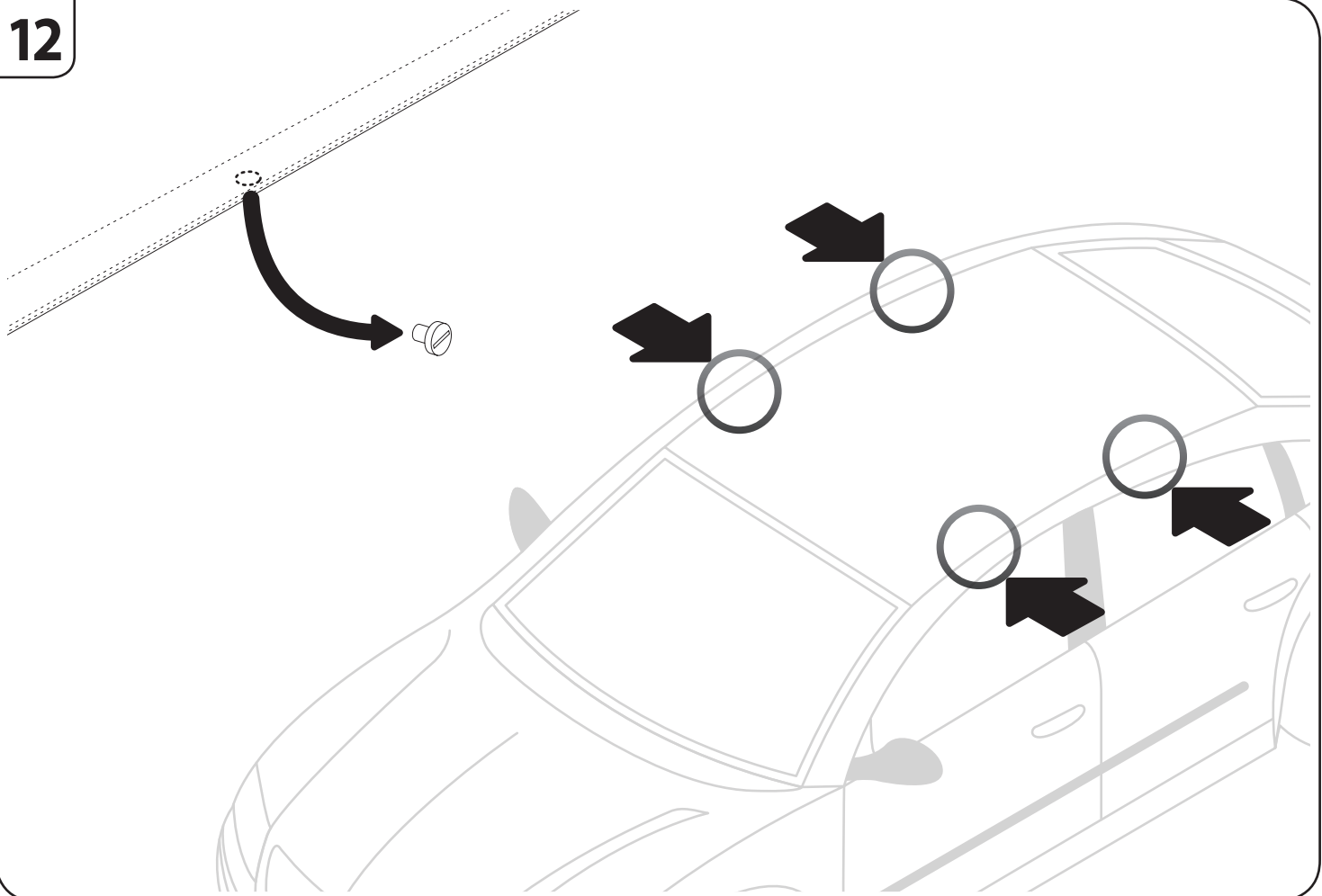




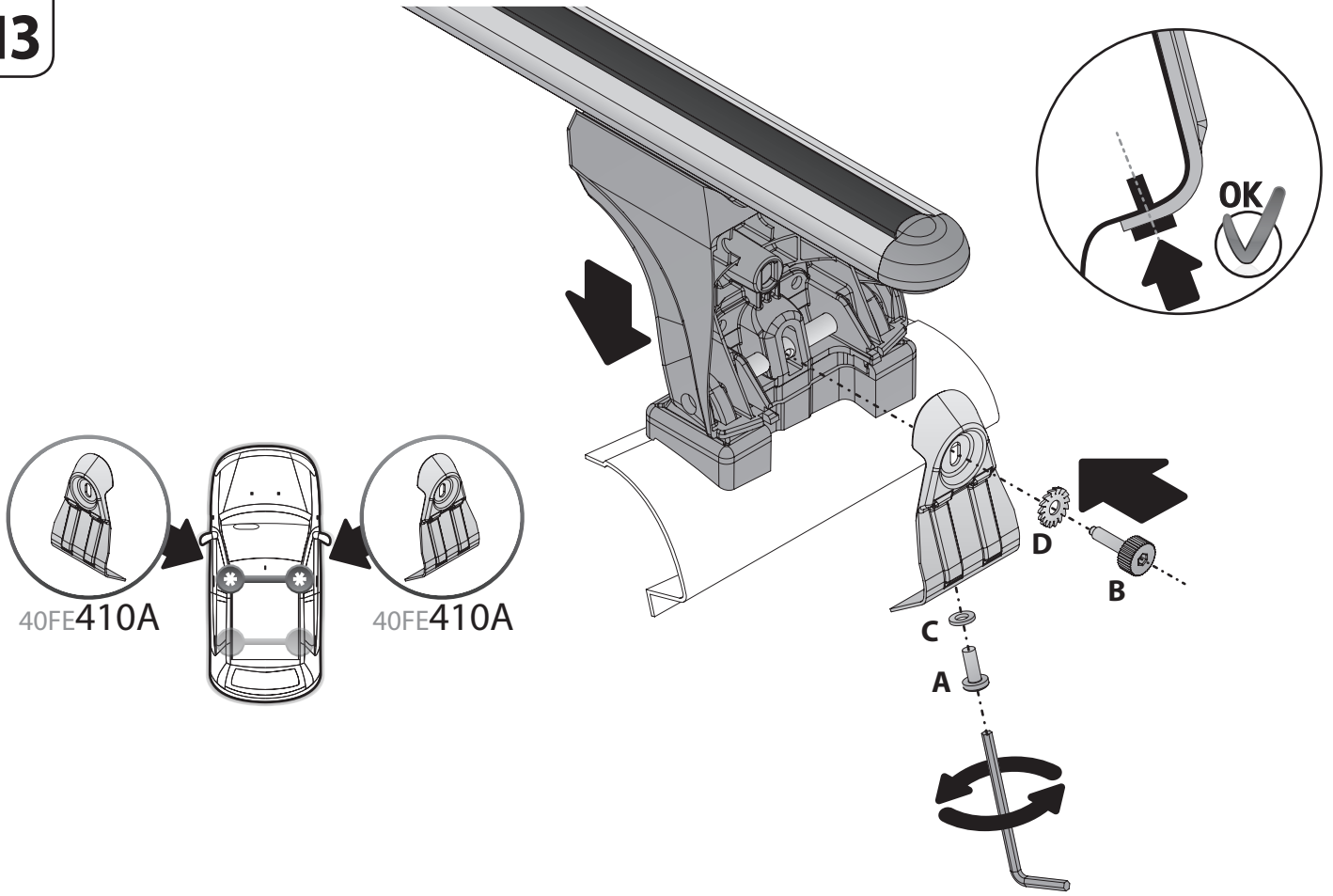
11



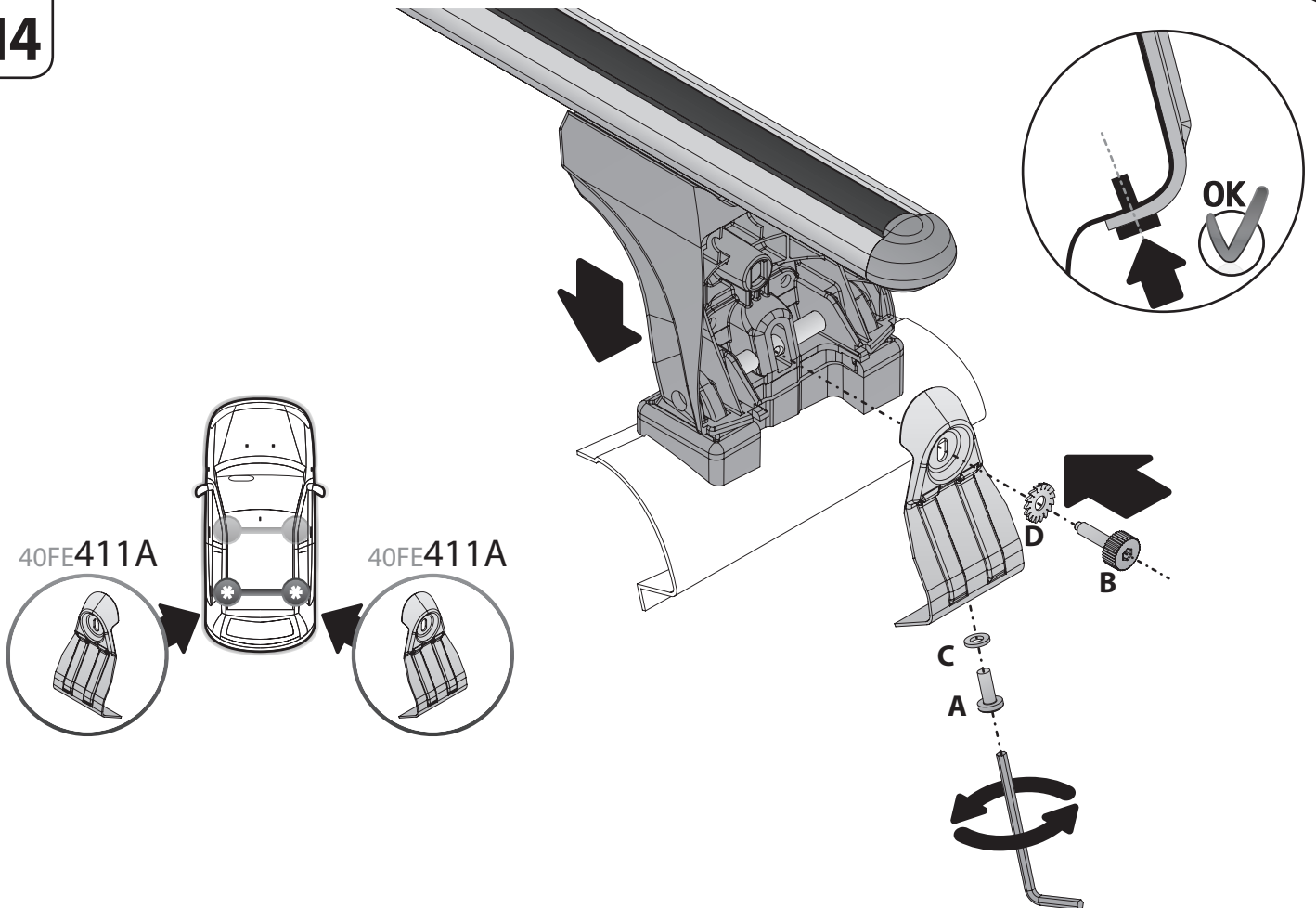
12



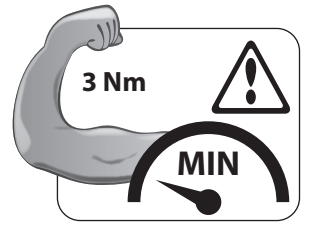
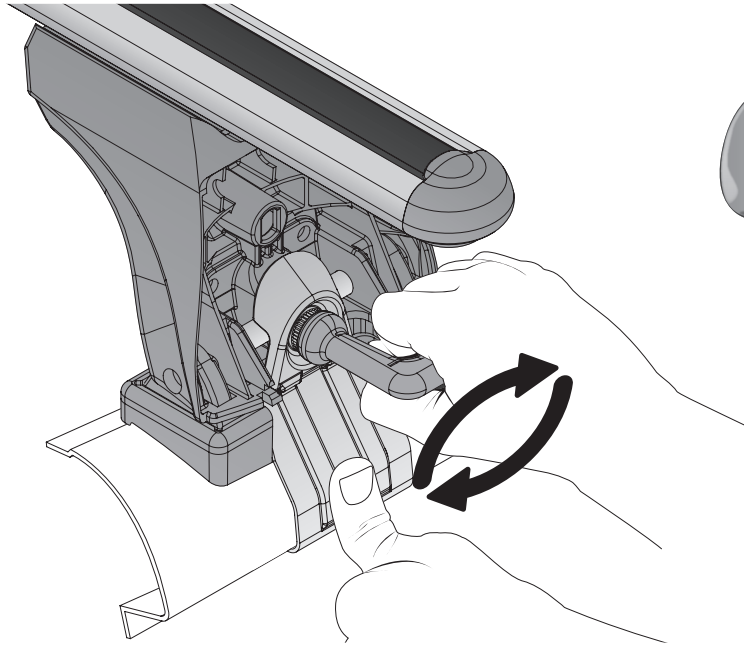
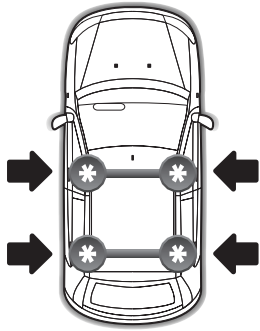
13



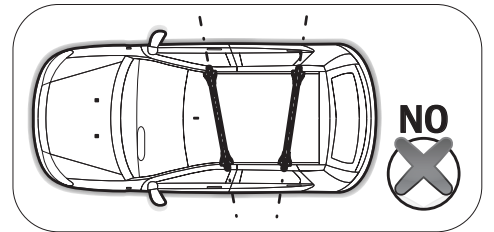
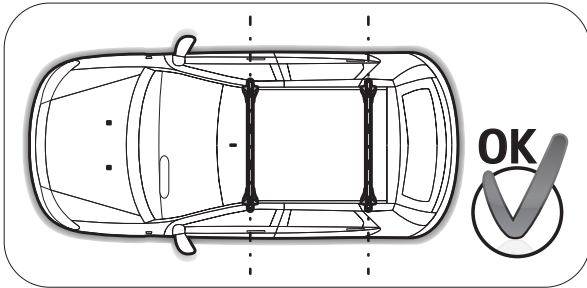
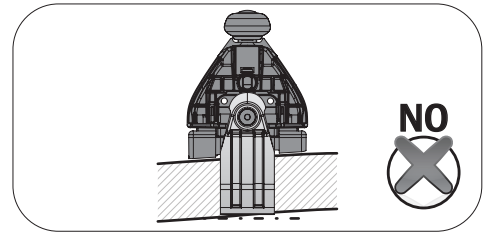
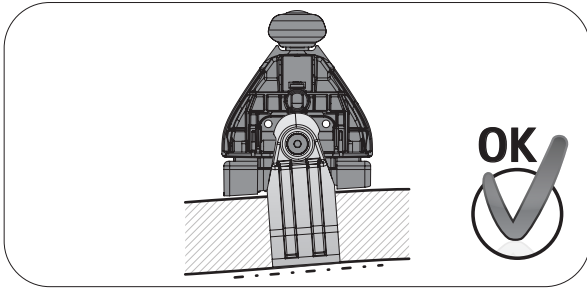
14



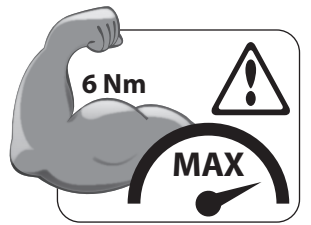
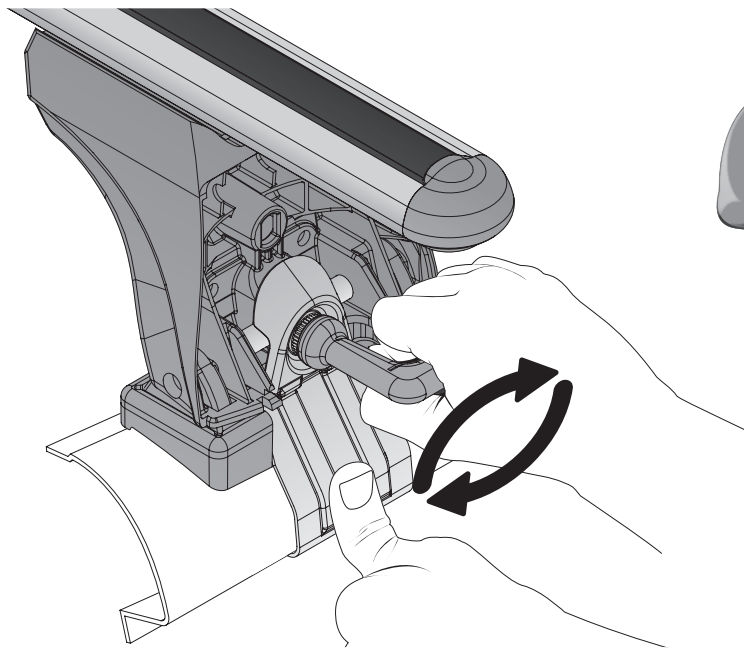
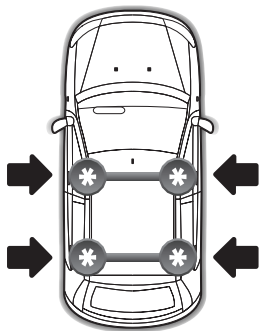
15



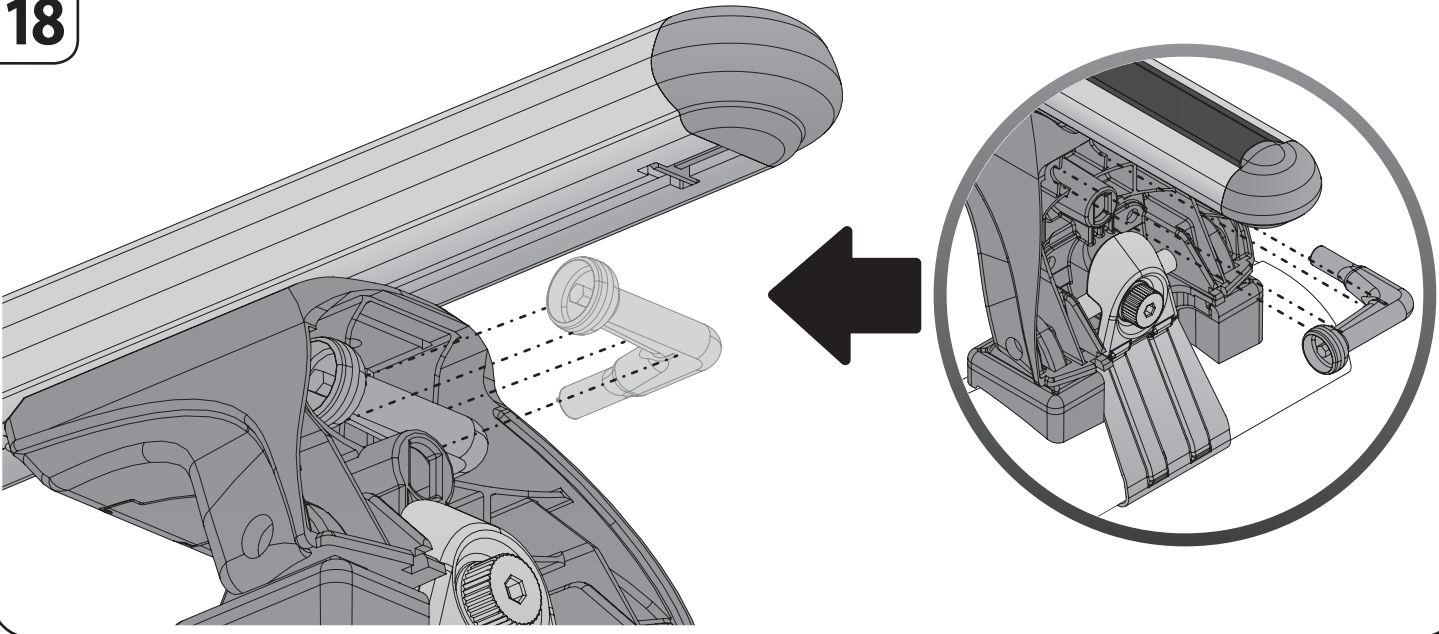
16



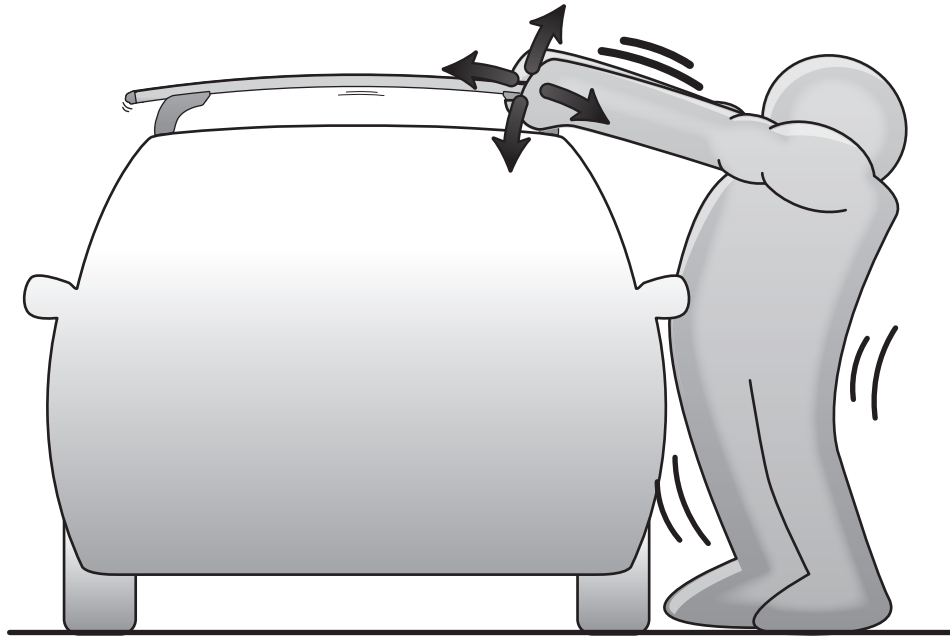
17



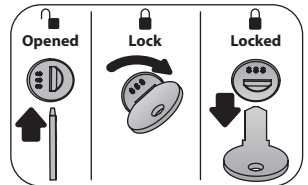
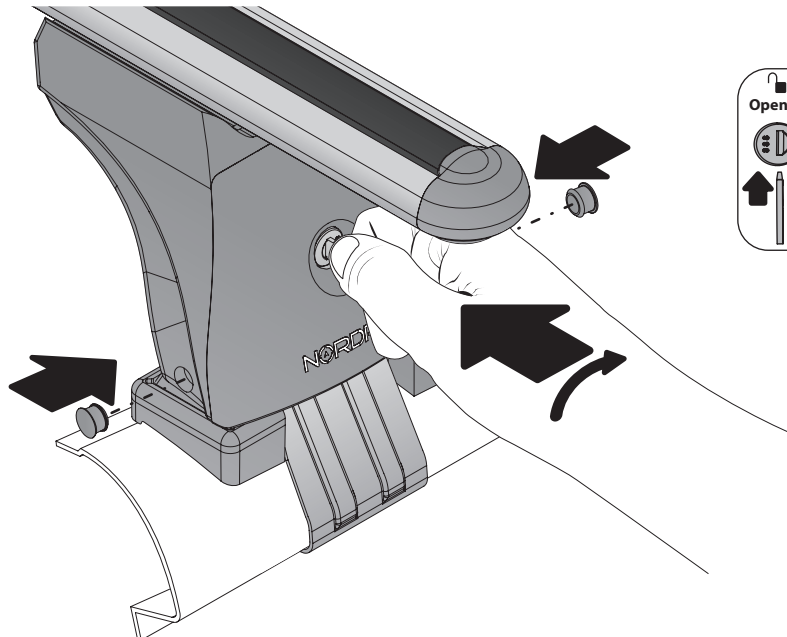
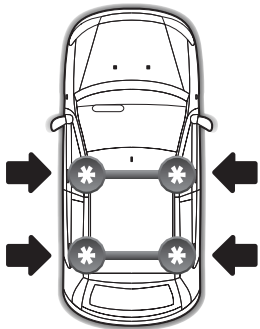
18



19



20



EVOS

NORDRIVE[®]
TRANSPORT SOLUTIONS

is a registered trade mark of

LAMPA S.p.A.

Via G. Rossa 53/55, 46019 Viadana (MN) ITALY

Tel. +39 0375 820700

UNI EN ISO 9001:2008 Certified Company

www.nordrive.it

www.lampa.it